

SOJAG

Sojag code : 500-9169584

CUP/UPC code : 772830169584

Costco code: 1768235

QUESTIONS? 1 899-9900

Assembly Manual / Guide d'assemblage / Manual de ensamblaje / 조립설명서 / Montageanleitung

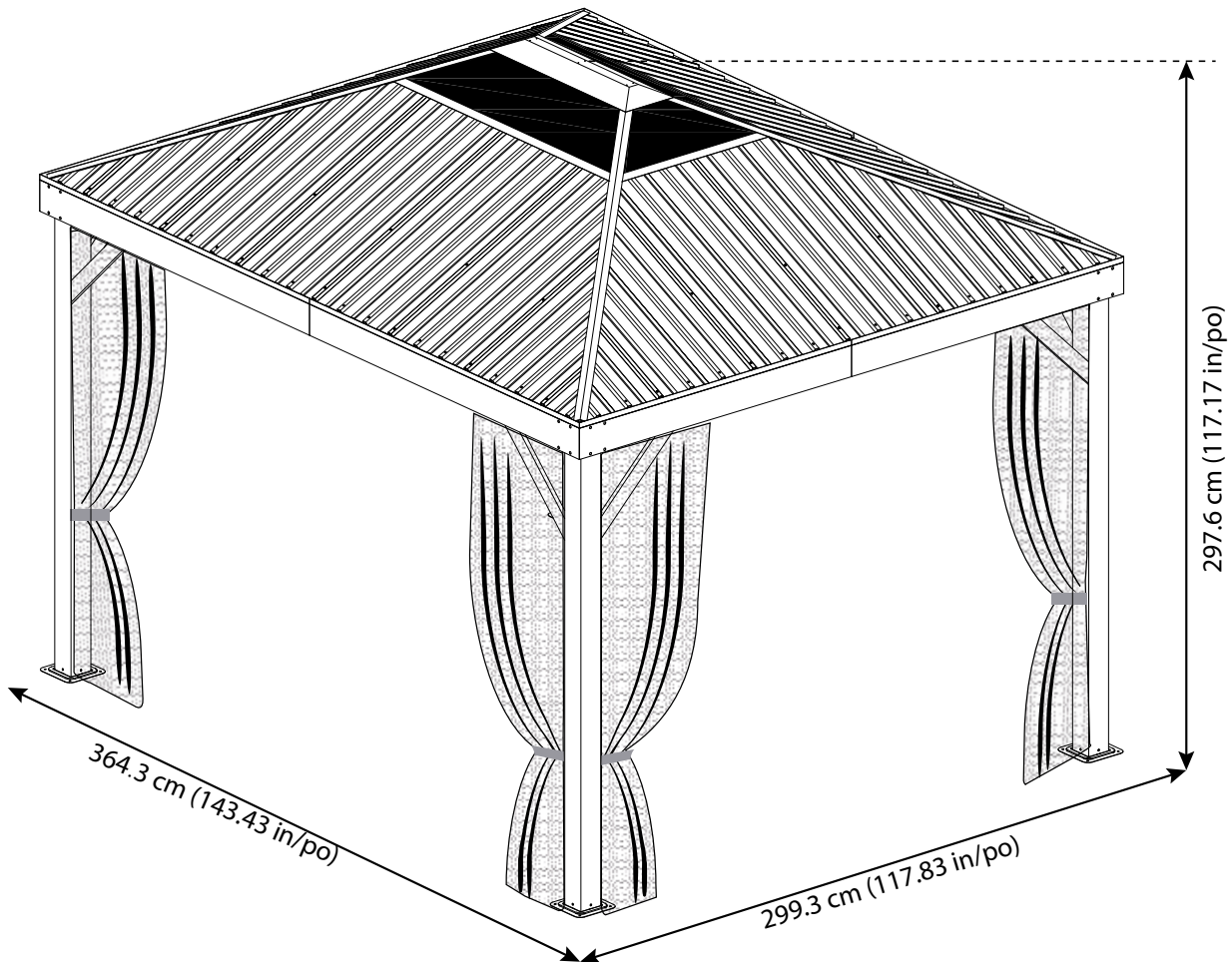
IMPORTANT, RETAIN FOR FUTURE REFERENCE: READ CAREFULLY

IMPORTANT : CONSERVER POUR RÉFÉRENCE FUTURE ET LIRE ATTENTIVEMENT

IMPORTANTE : CONSERVE PARA REFERENCIA FUTURA. LEA CUIDADOSAMENTE ANTES

Wichtig: für den zukünftigen Gebrauch aufbewahren: sorgfältig lesen.

중요: 주의 깊게 읽고 나중에 참조할 수 있도록 보관하십시오



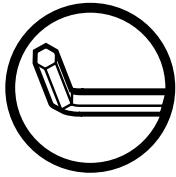
For Outdoor Use only. Not for Commercial Use.

Pour usage extérieur seulement. Pas pour usage commercial.

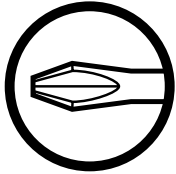
Solo para uso en exteriores. No para uso comercial.

Nur für den Gebrauch im Freien. Nicht für den kommerziellen Gebrauch geeignet.

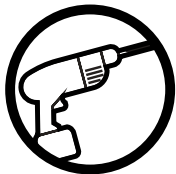
이 제품은 옥외용이며 상업용이 아닙니다.



Use the hex keys in the box. / Utilisez les clés hexagonales fournies dans la boîte. / Utilice las llaves hexagonales en la caja. / 상자에 육각 키를 사용 하십시오. / Verwenden Sie die Sechskantschlüssel in der Box.



Please use a Phillips screwdriver. / Utilisez un tournevis de type Phillips / Por favor, use un destornillador Phillips. / 십자 드라이버를 사용 하십시오. / Bitte verwenden Sie einen Kreuzschraubenzieher.



You may need to use a drill for this step. / Vous pouvez avoir besoin d'utiliser une perceuse pour cette étape. / Puede que tenga que utilizar un taladro para este paso. / 이 단계에선 드릴을 사용해야 할 수도 있습니다. / Für diesen Schritt können Sie einen Bohrer verwenden.



Wearing protective gloves is recommended. / Le port de gants de protection est recommandé / El uso de guantes de protección se recomienda. / 보호 장갑을 착용 하는 것이 좋습니다. / Das Tragen von Schutzhandschuhen wird empfohlen.



Two or more people are required at this stage. / Deux personnes ou plus sont nécessaires à cette étape. / Dos o más personas se requieren en esta etapa. / 이 단계에서는 두 명 이상이 필요합니다. / Für diesen Bauschritt sind 2 oder mehr Personen erforderlich.



Do not tighten screws all the way for now. / Ne pas visser fermement pour l'instant. / No atornille con firmeza por ahora. / 아직 나사를 단단히 조이지 마십시오. / Bitte die Schrauben zum jetzigen Zeitpunkt noch nicht fest anziehen.

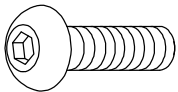


Sold separately. / Vendus séparément. / vendido en las opciones. / 옵션 판매 / Optional erhältlich

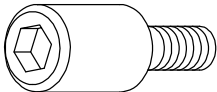


Optional step / Étape optionnelle / Paso opcional / 선택적 단계 / Optionaler Schritt

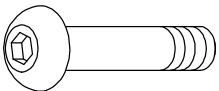
V X 265 (EXTRA 10 pcs)



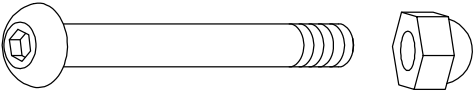
X X 32 (EXTRA 3 pcs)



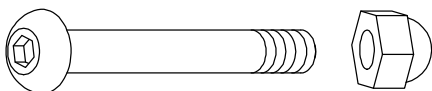
U1 X 4 (EXTRA 1 pcs)



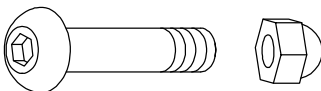
S X 12 (EXTRA 2 pcs)



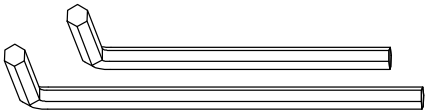
X1 X 4 (EXTRA 1 pcs)



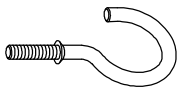
T X 64 (EXTRA 6 pcs)



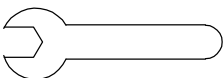
Z X 1

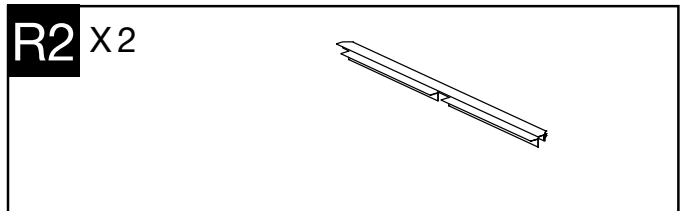
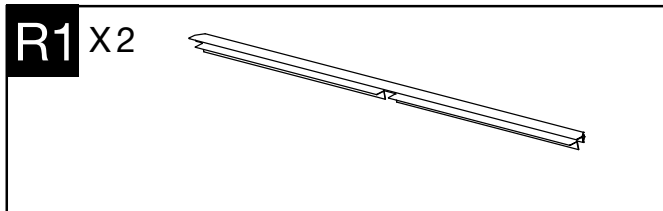
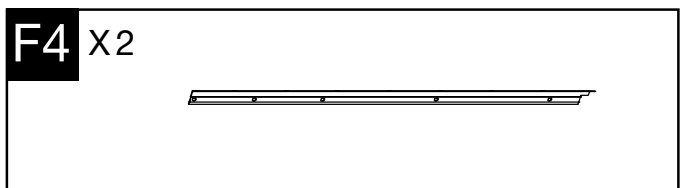
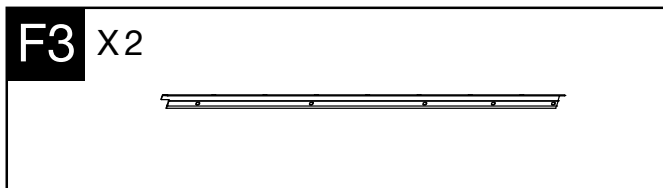
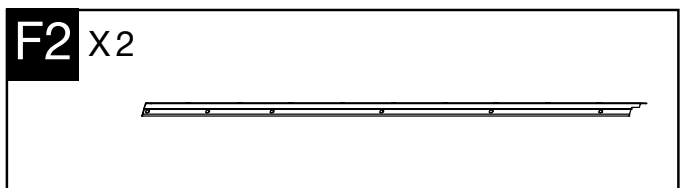
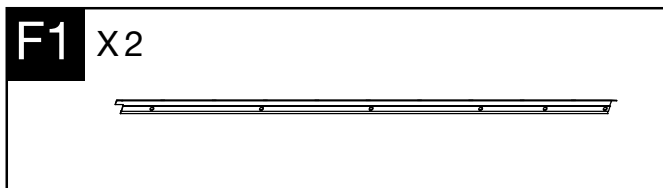
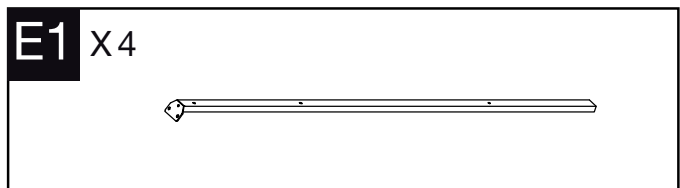
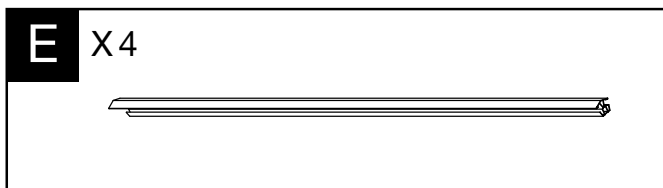
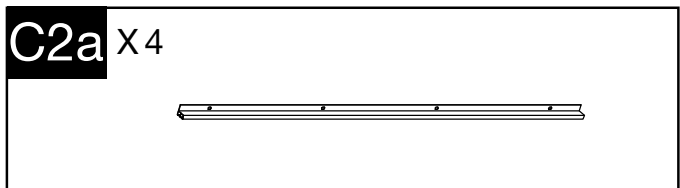
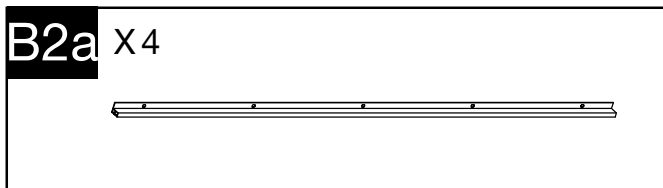
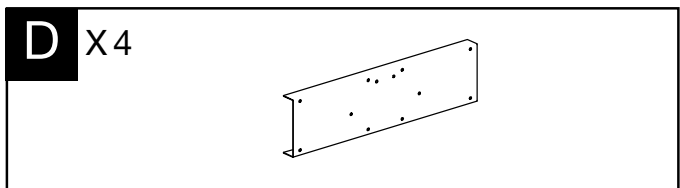
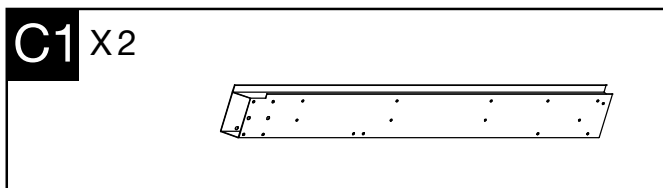
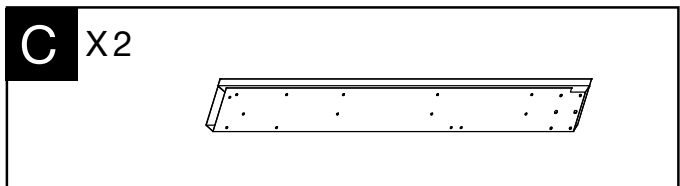
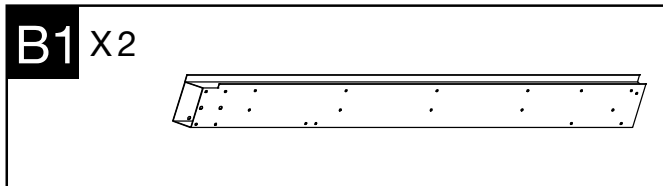
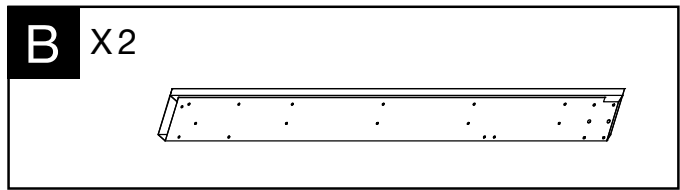
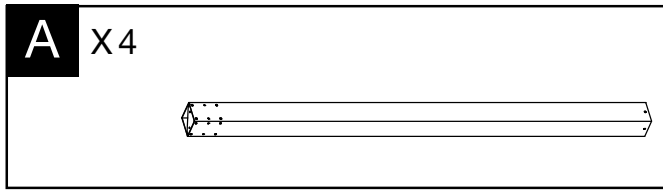


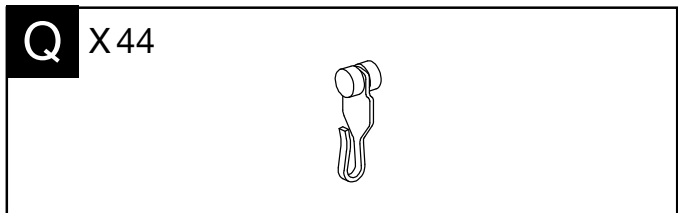
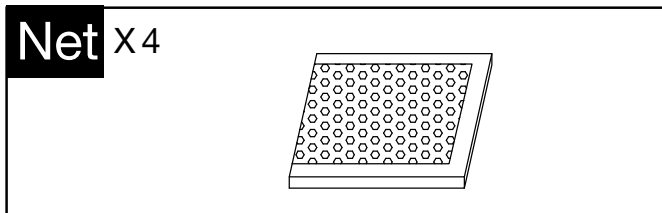
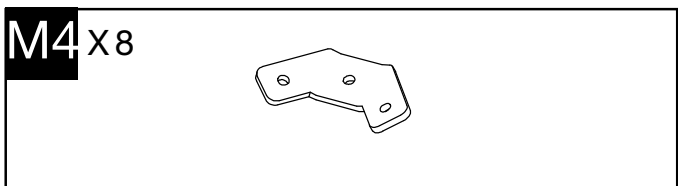
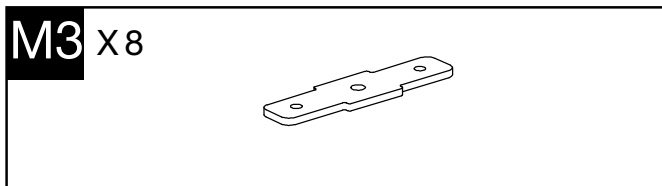
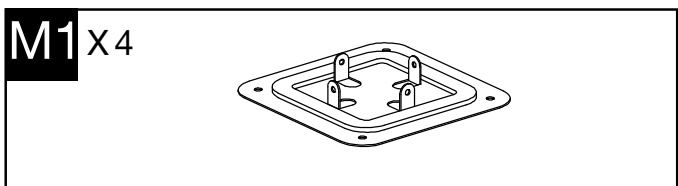
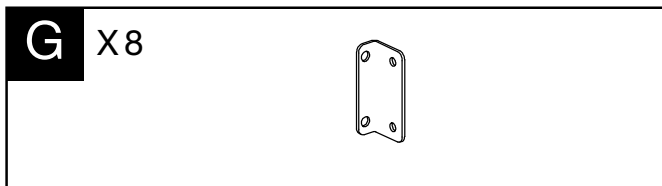
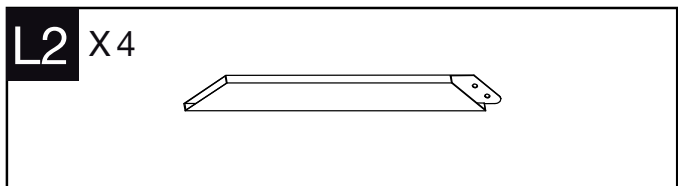
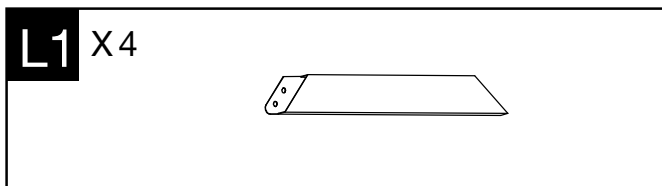
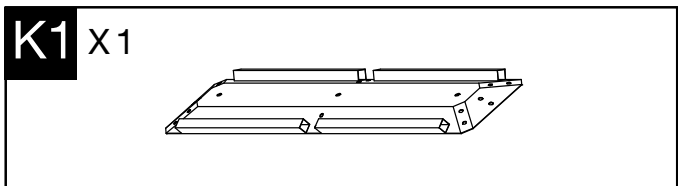
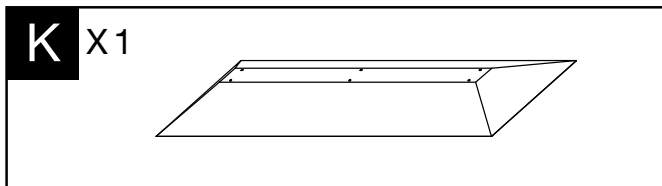
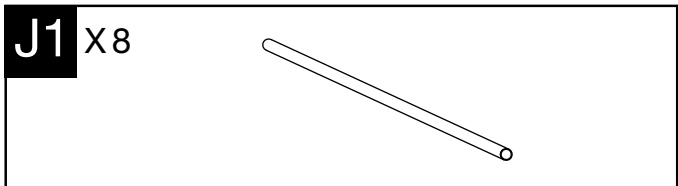
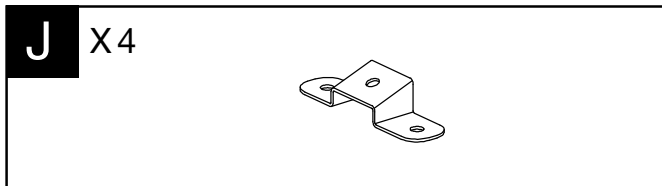
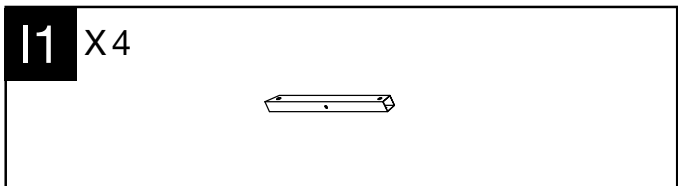
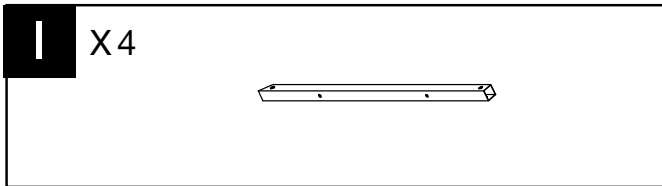
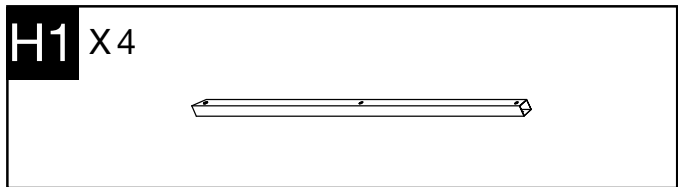
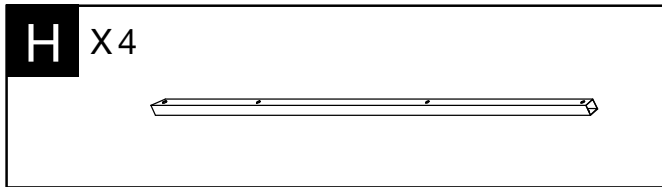
Wa X 2

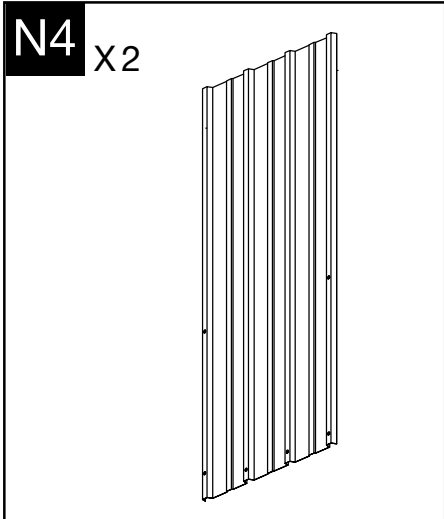
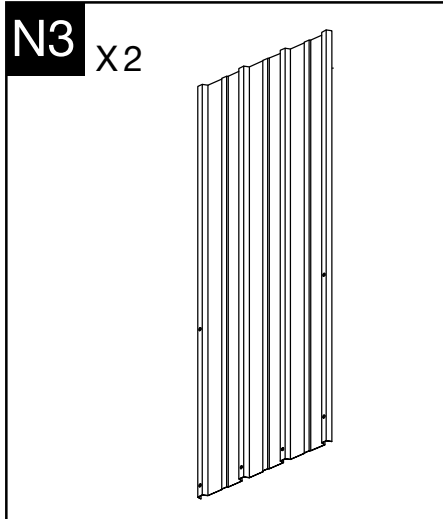
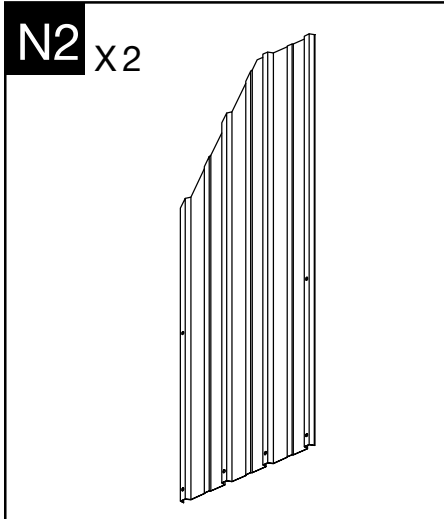
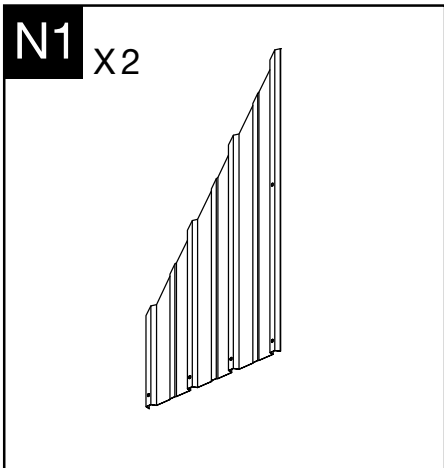
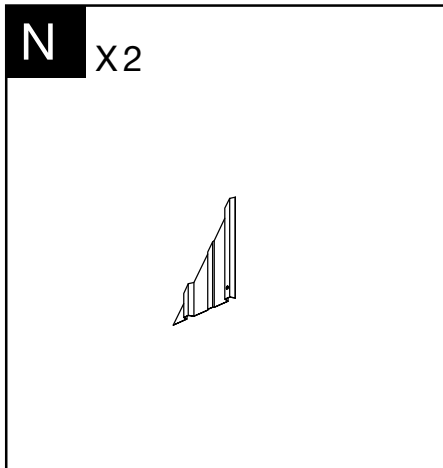
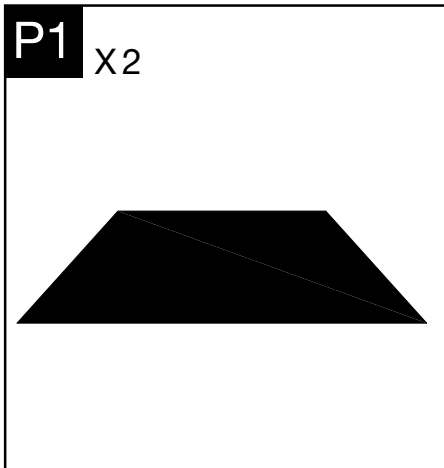
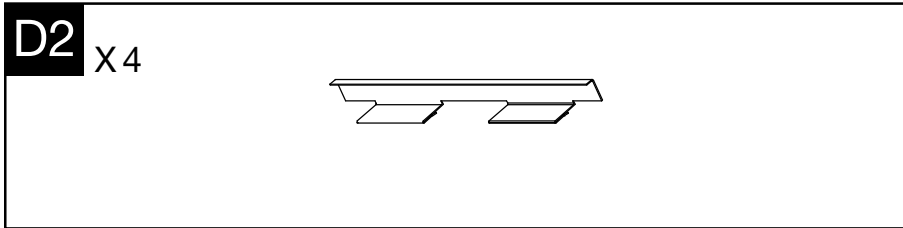
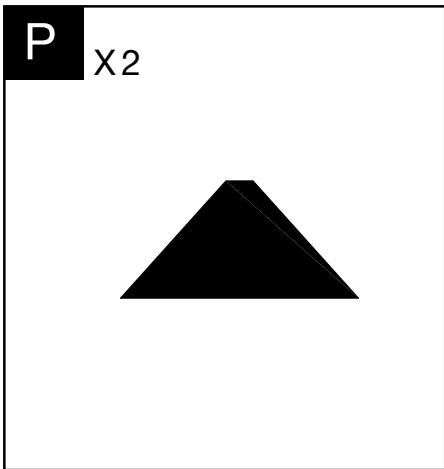
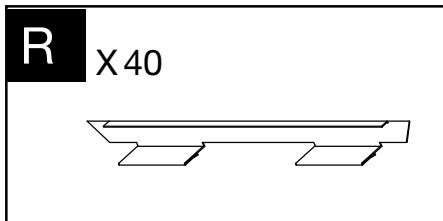
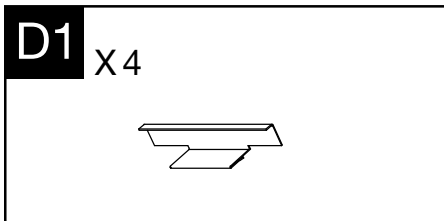


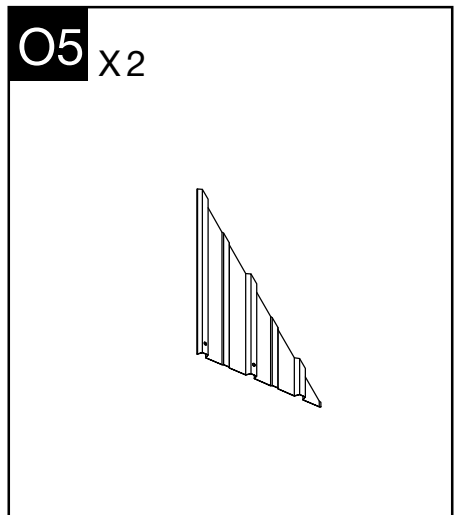
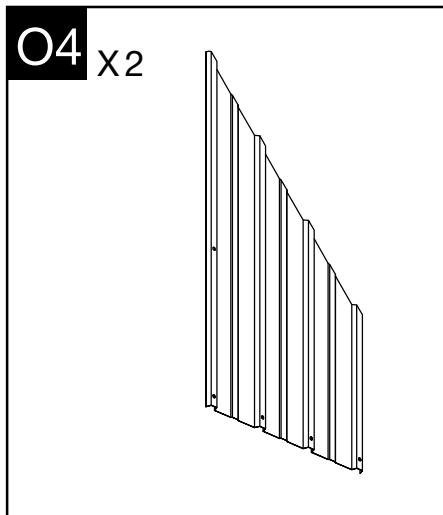
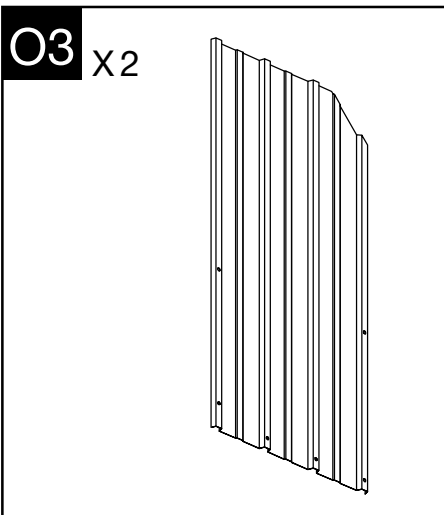
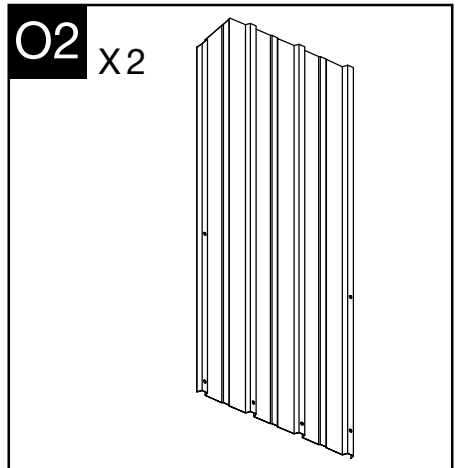
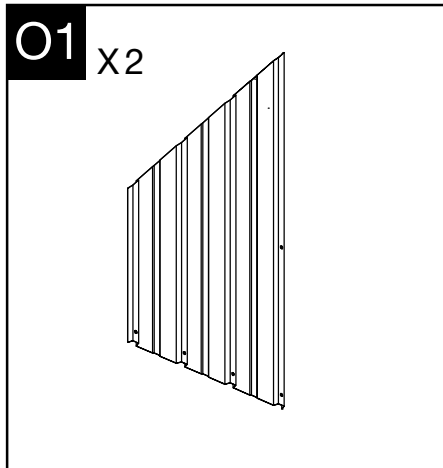
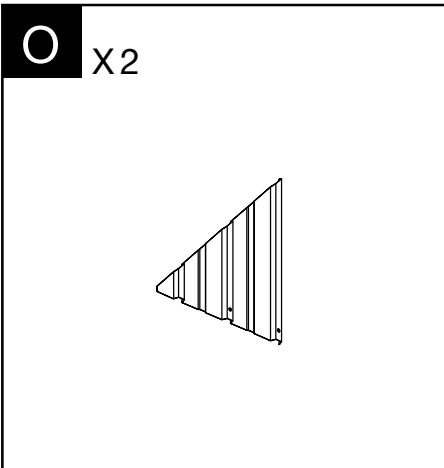
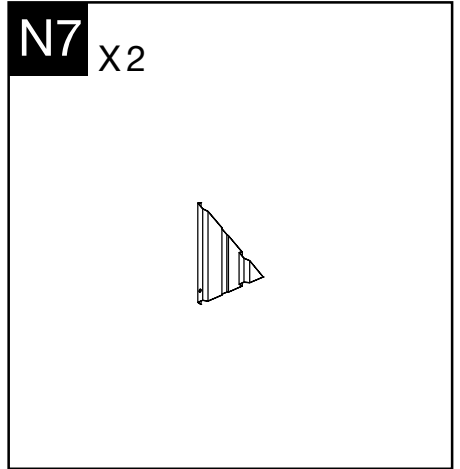
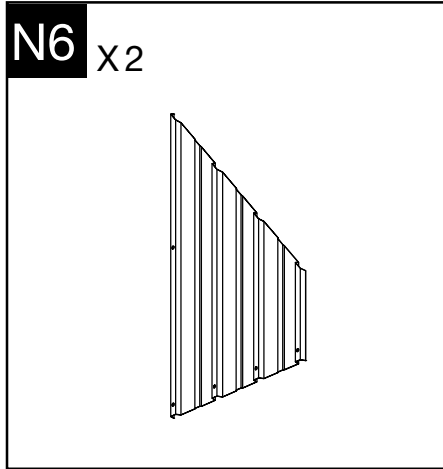
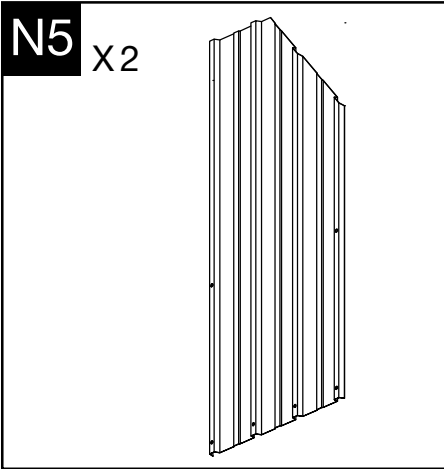
W2 X 1

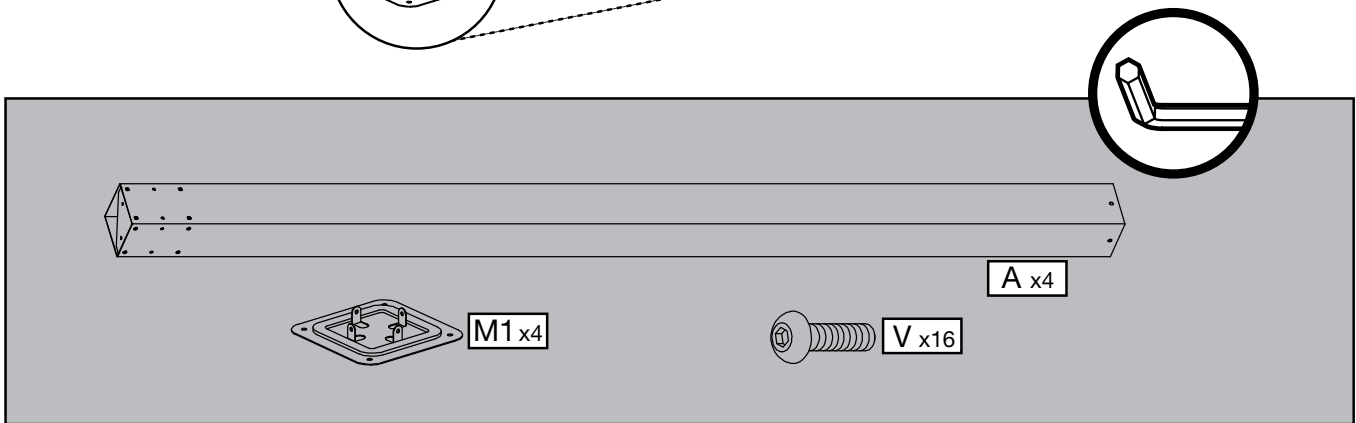
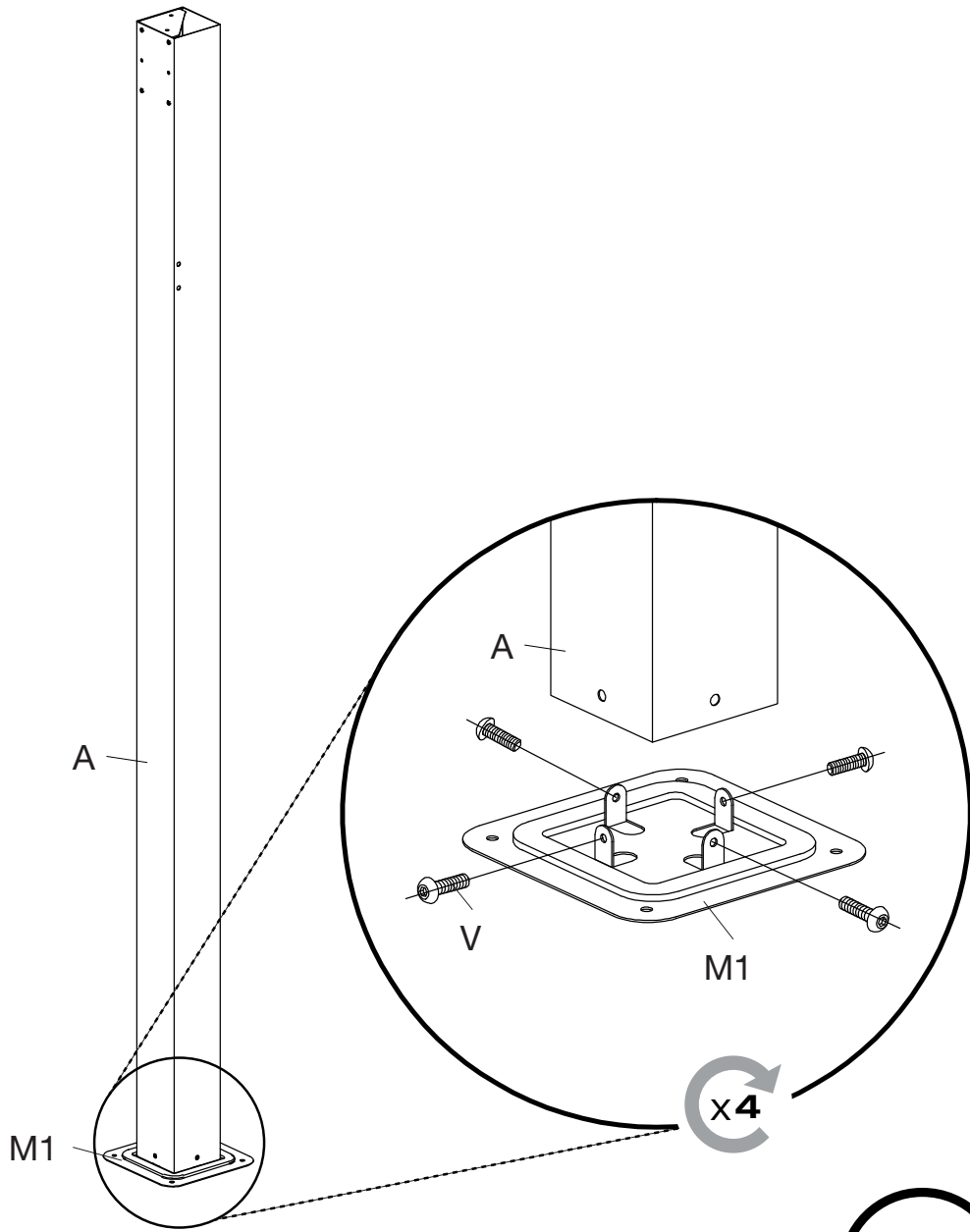


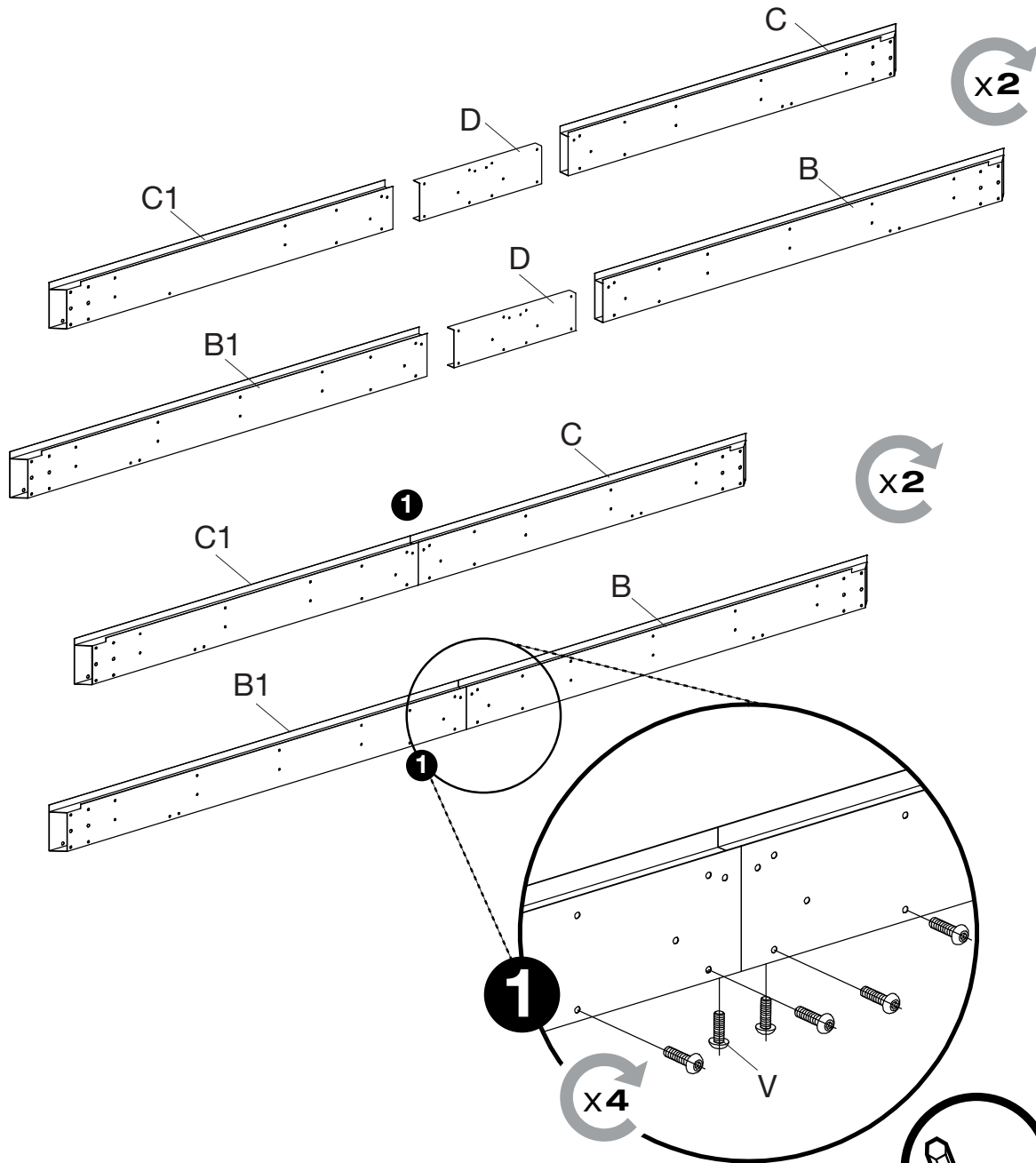




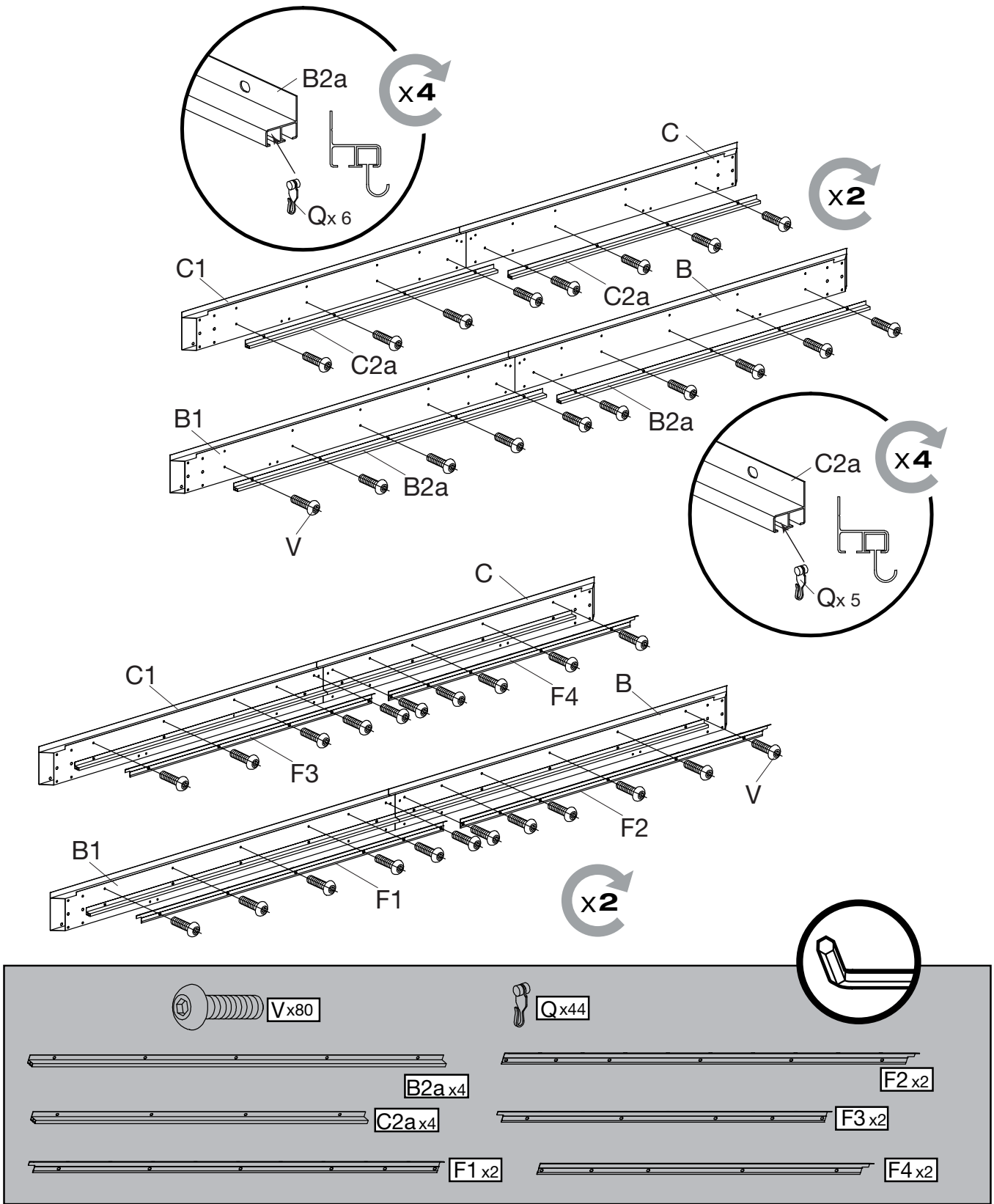


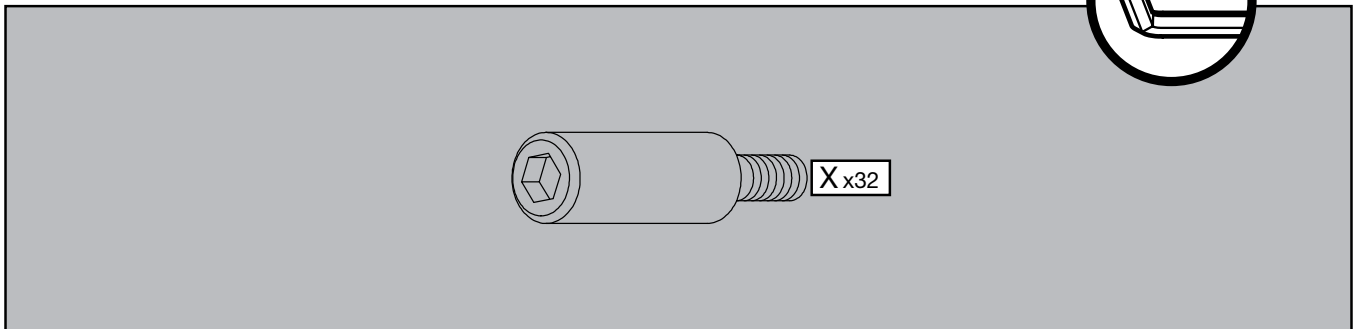
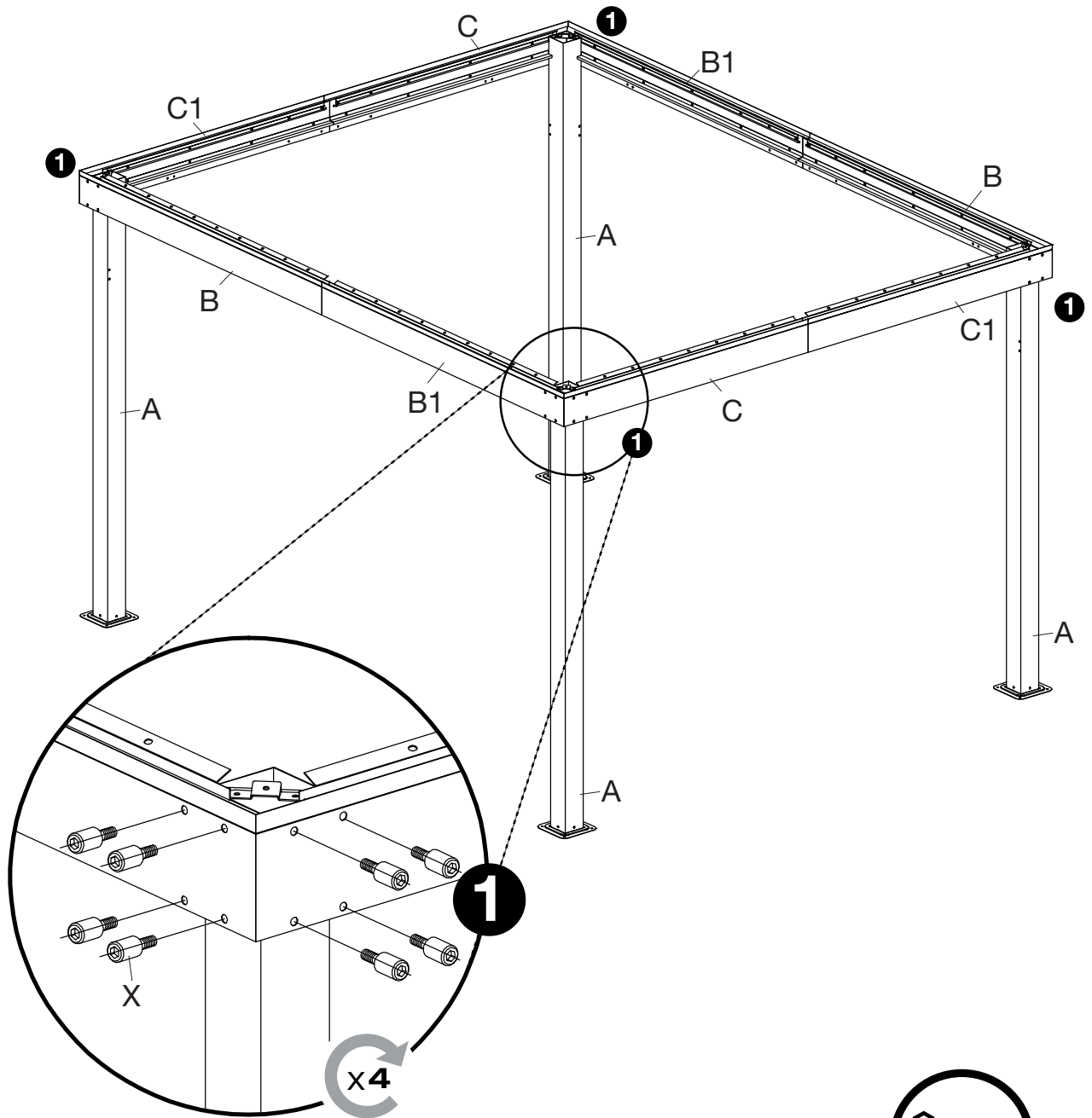


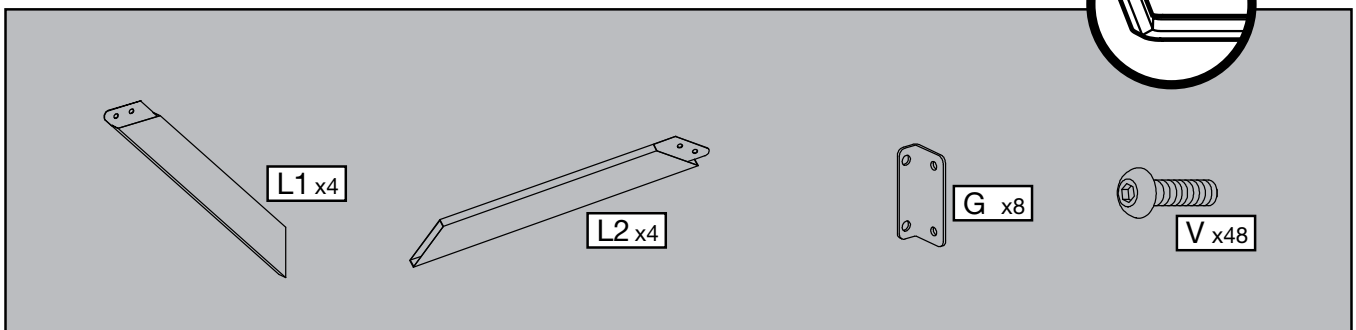
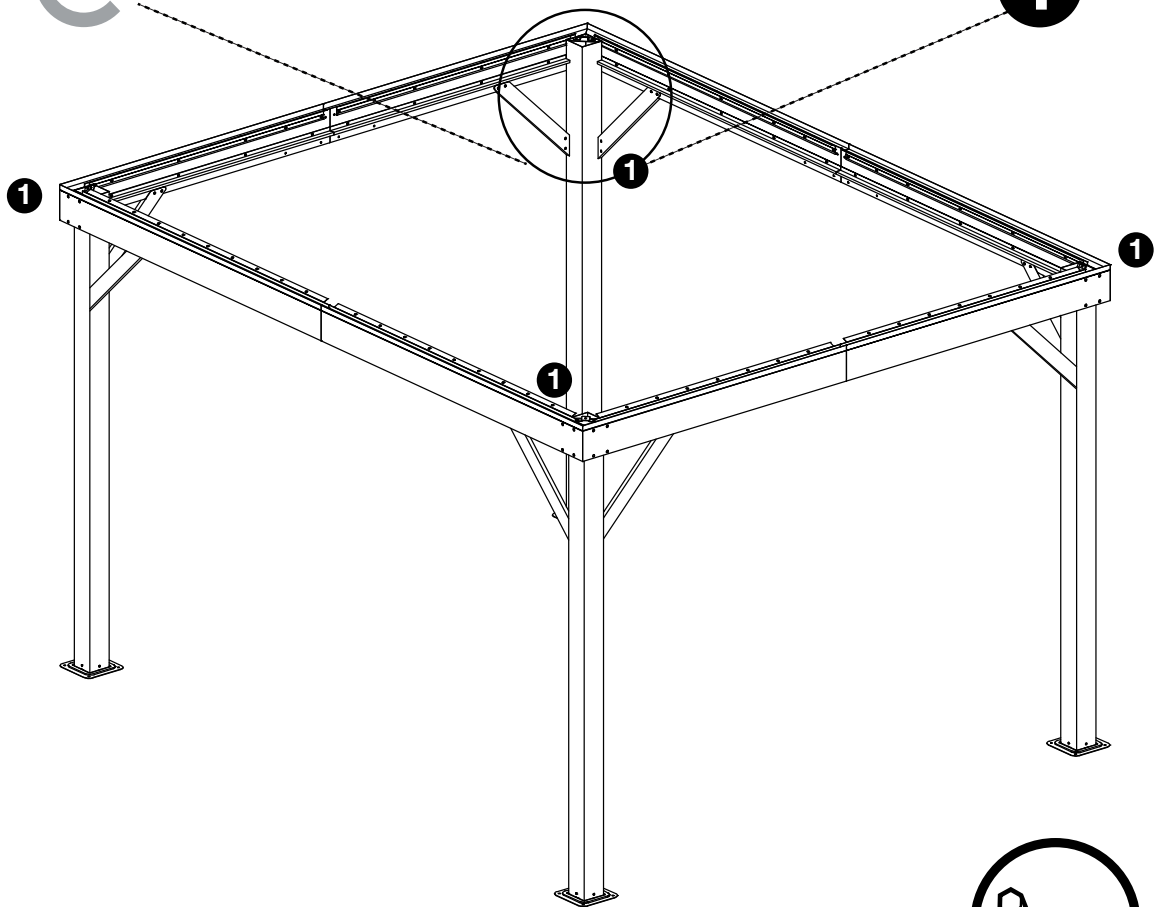
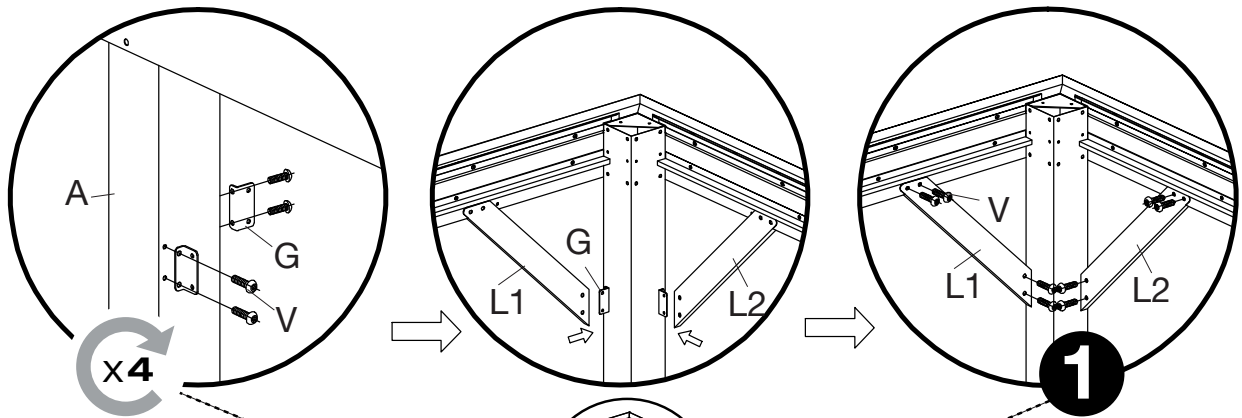


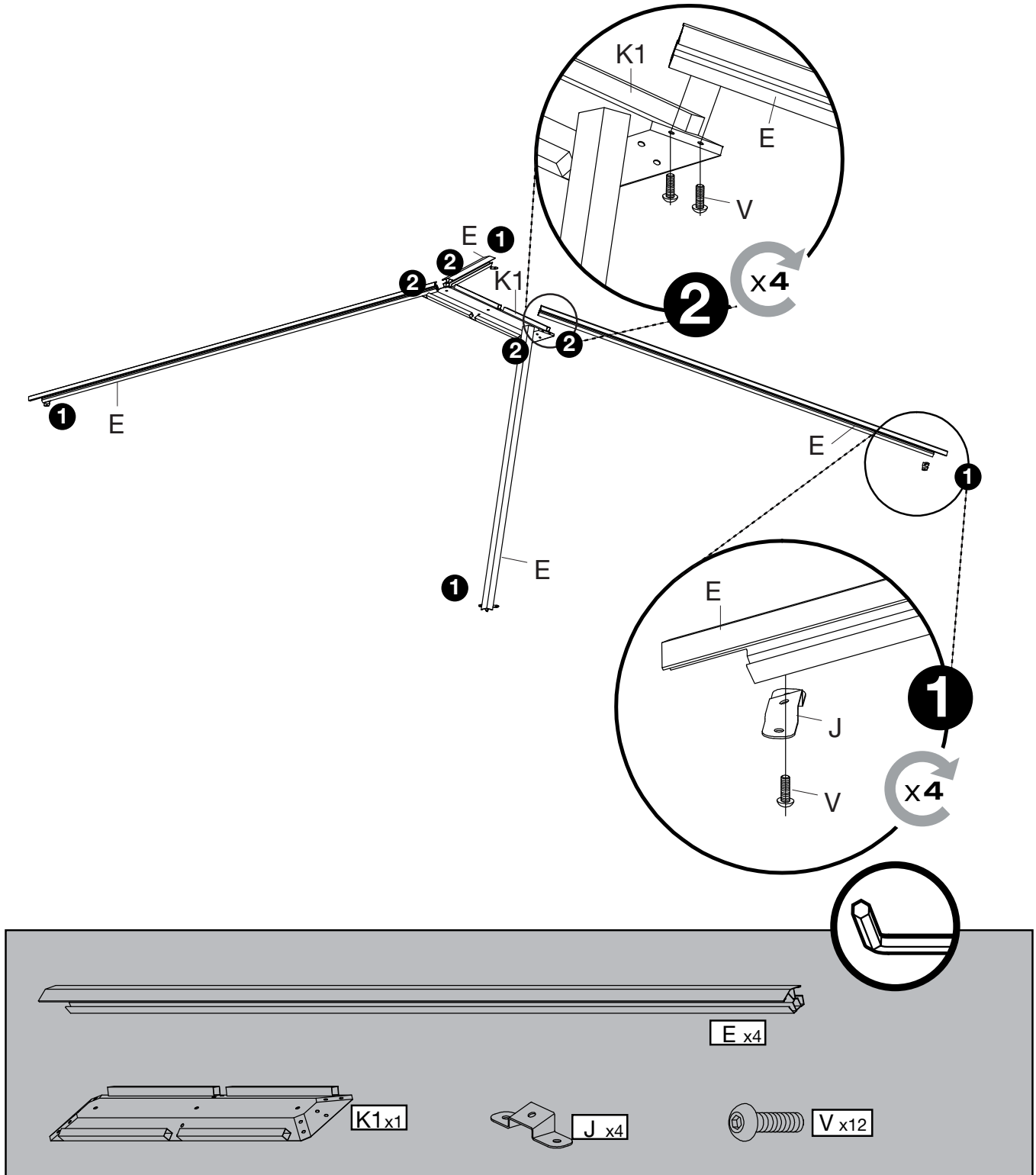


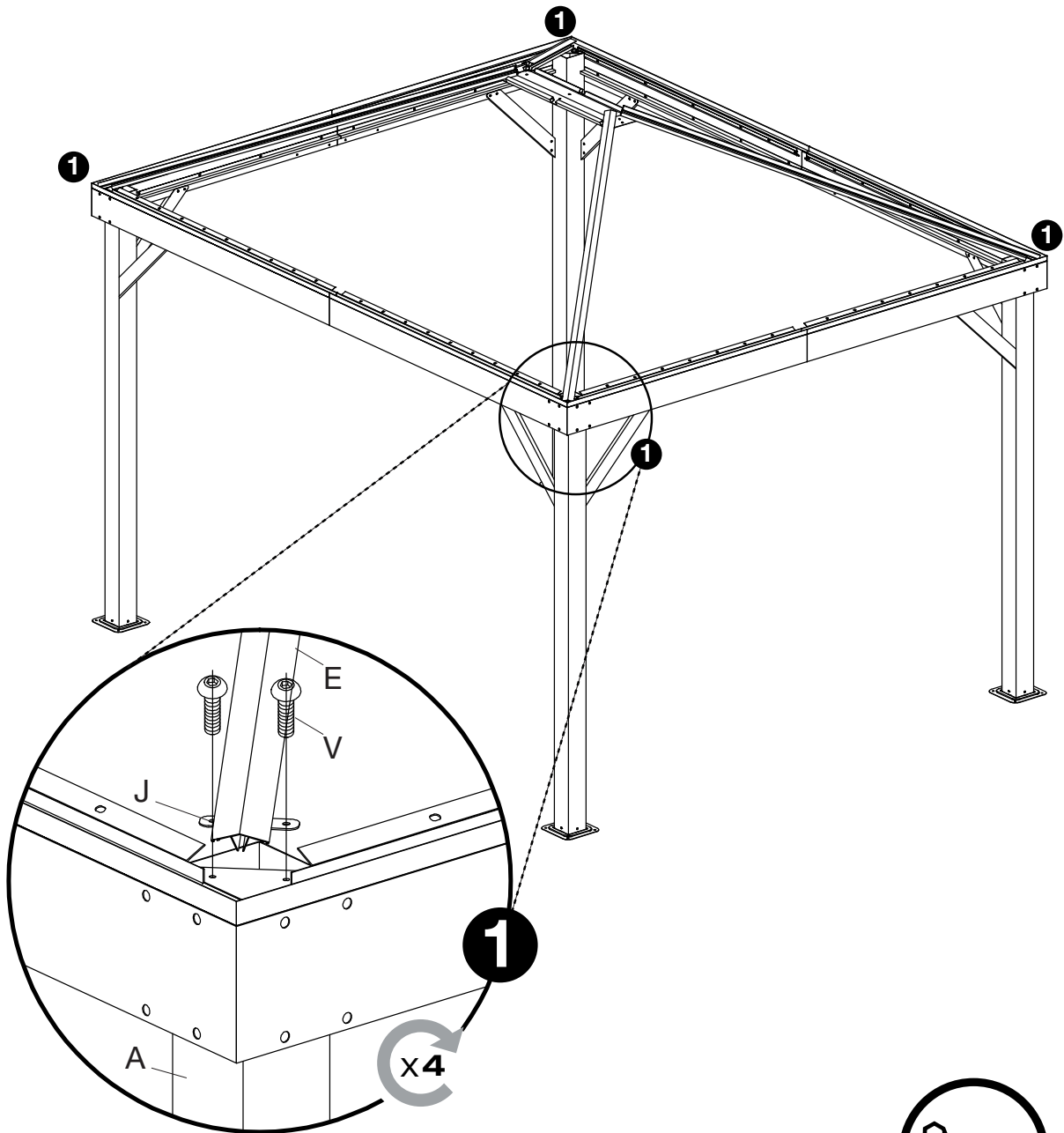
A parts list diagram showing the components required for the assembly. The components are arranged in two columns. The left column contains: a small rectangular piece labeled 'D x4', a long horizontal beam labeled 'B x2', and a shorter horizontal beam labeled 'B1 x2'. The right column contains: a screw labeled 'V x24', a long horizontal beam labeled 'C x2', and a shorter horizontal beam labeled 'C1 x2'. A circular callout shows a detail of the beam's profile.

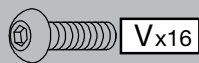
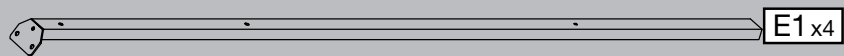
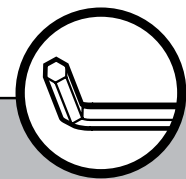
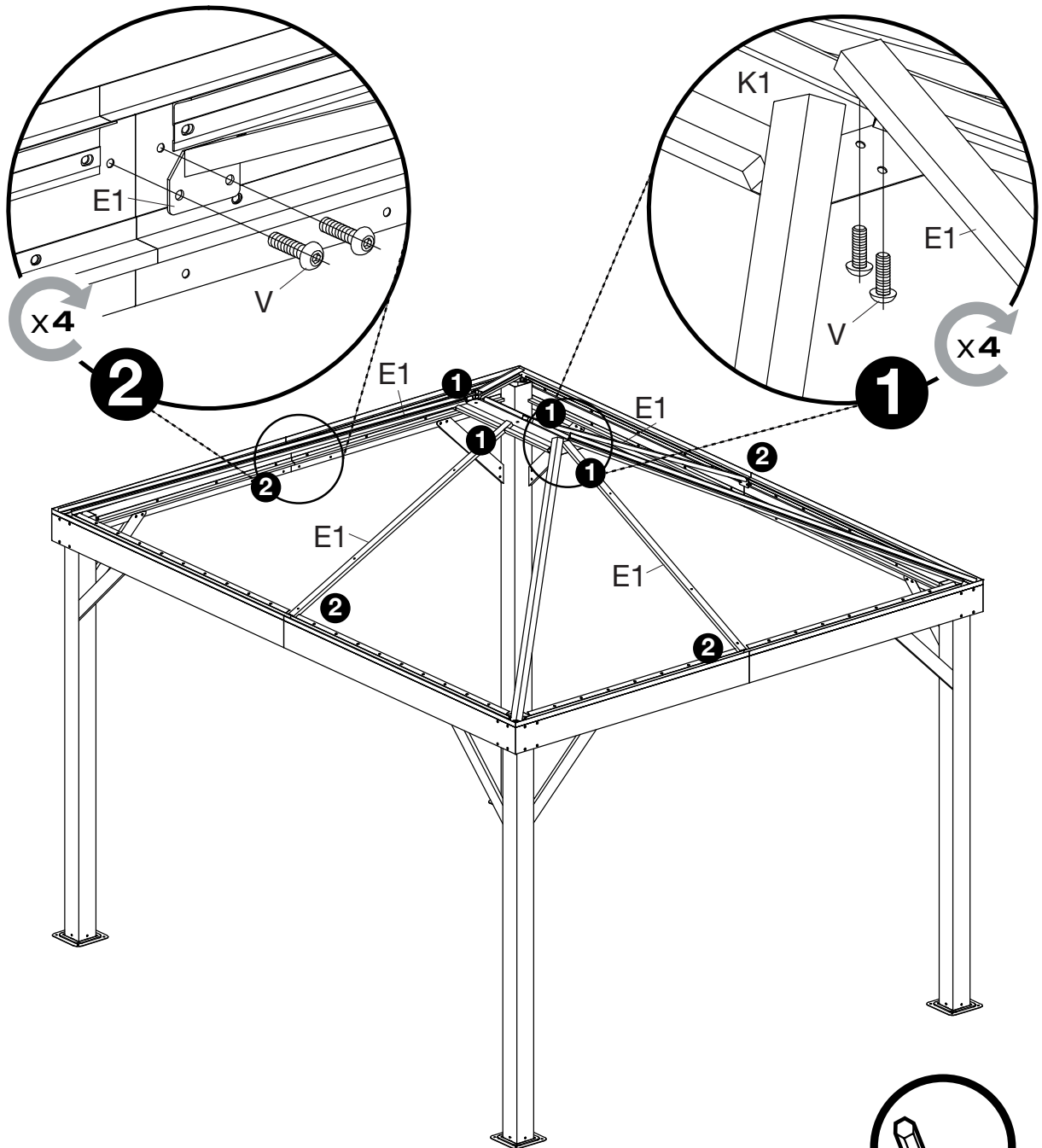


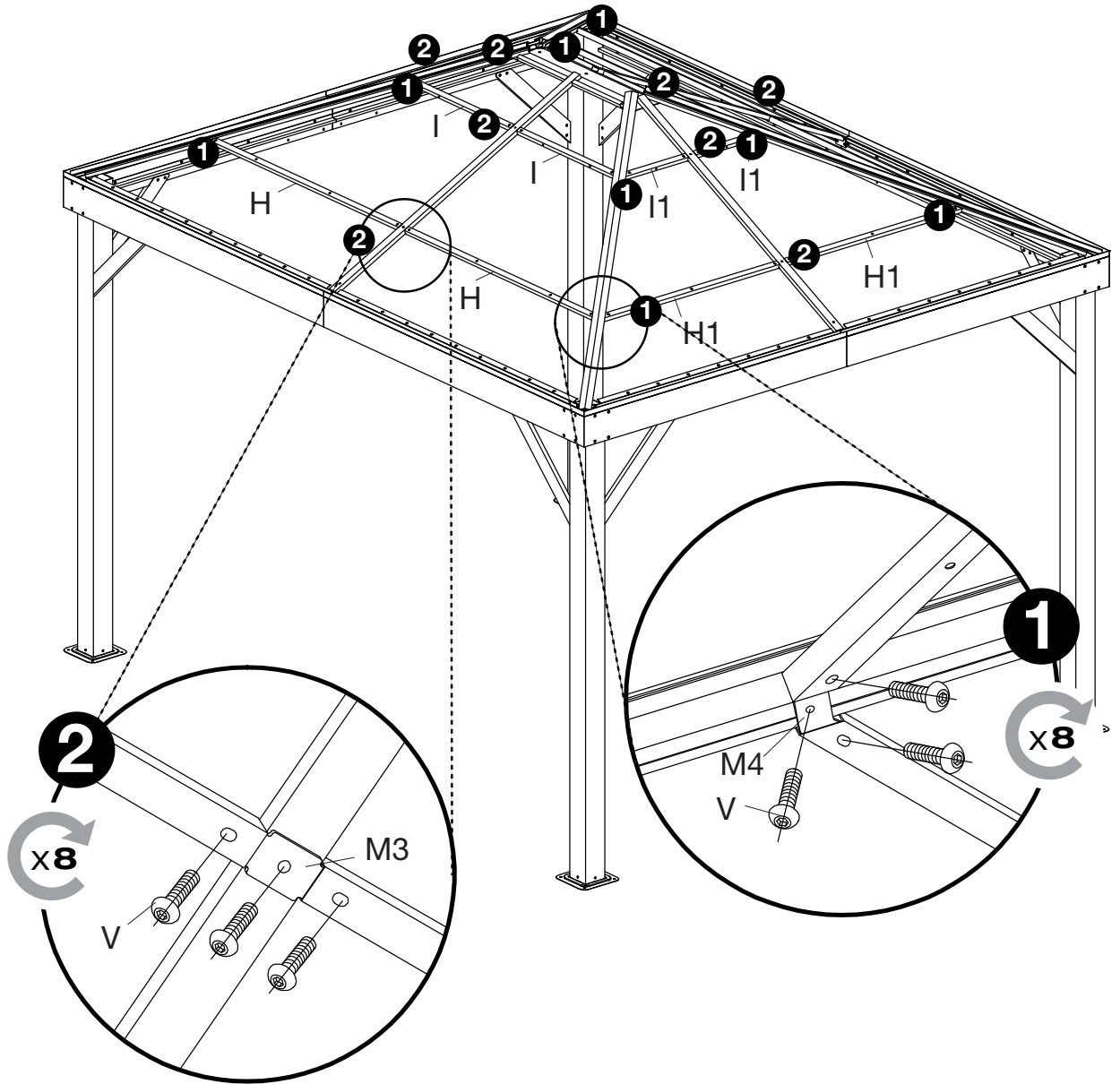




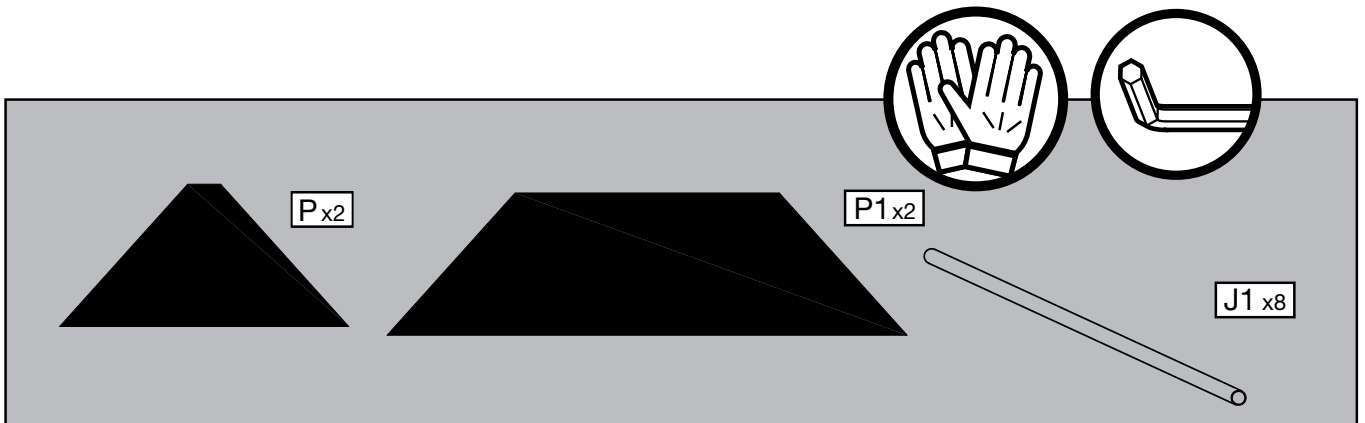
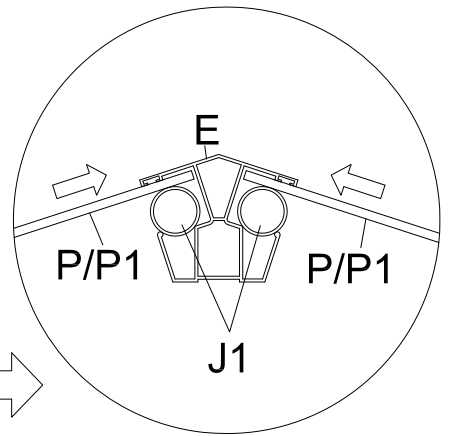
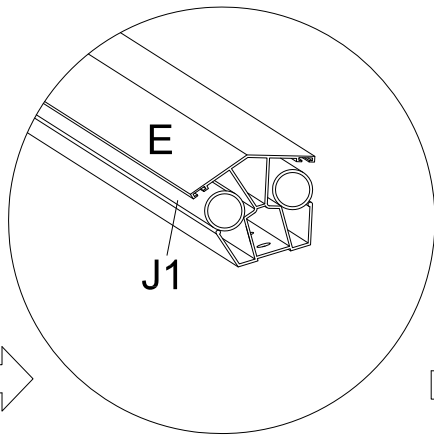
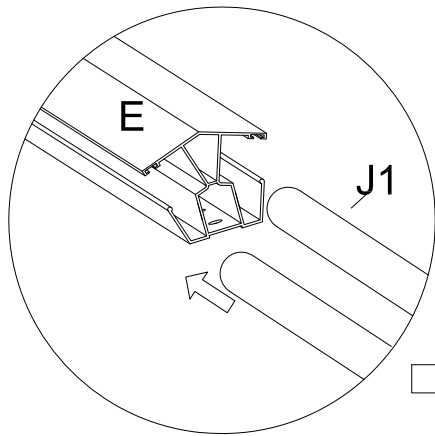
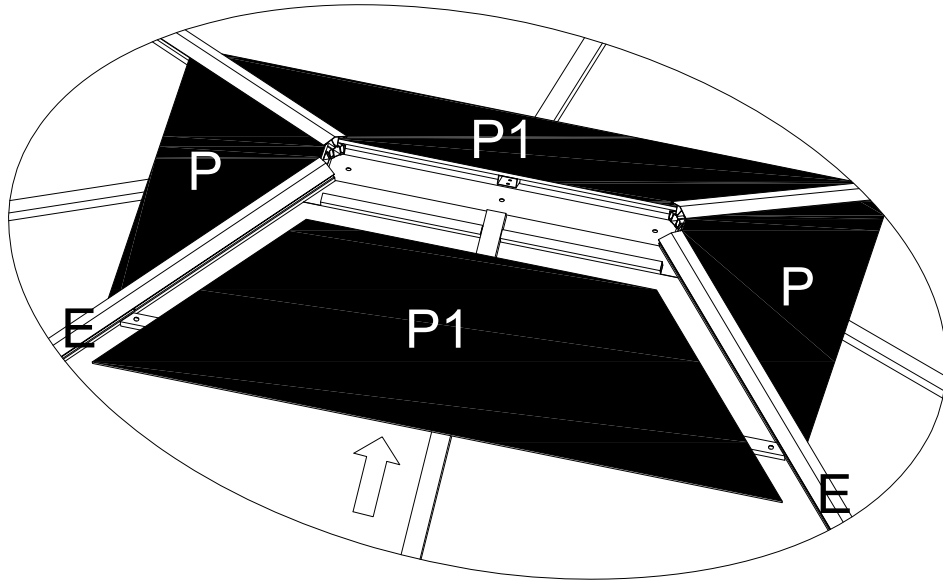


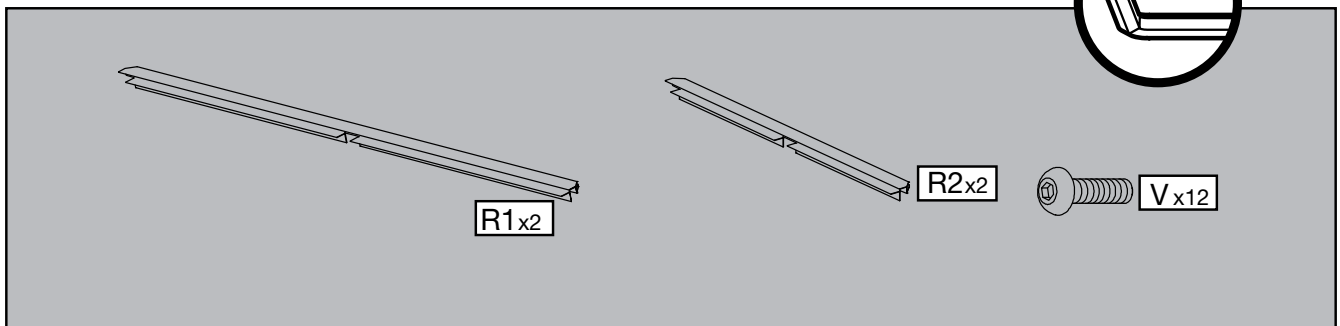
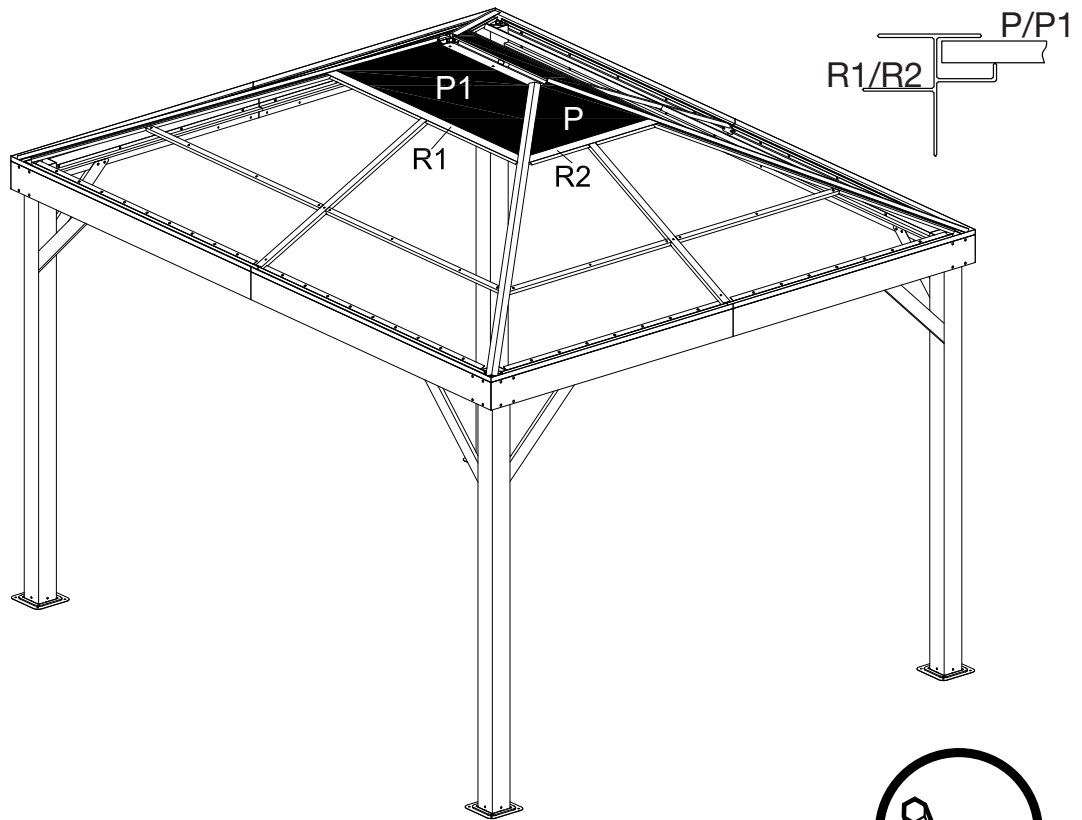
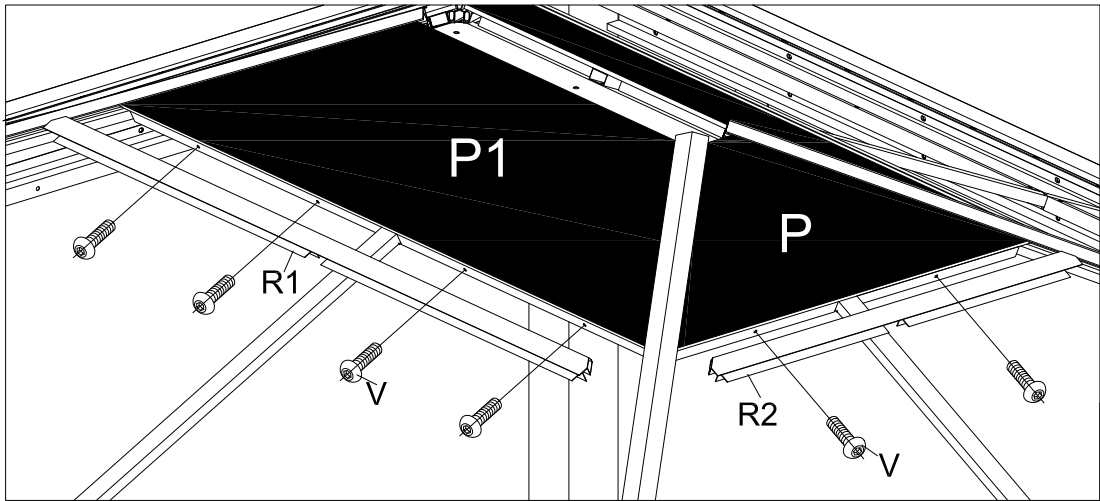


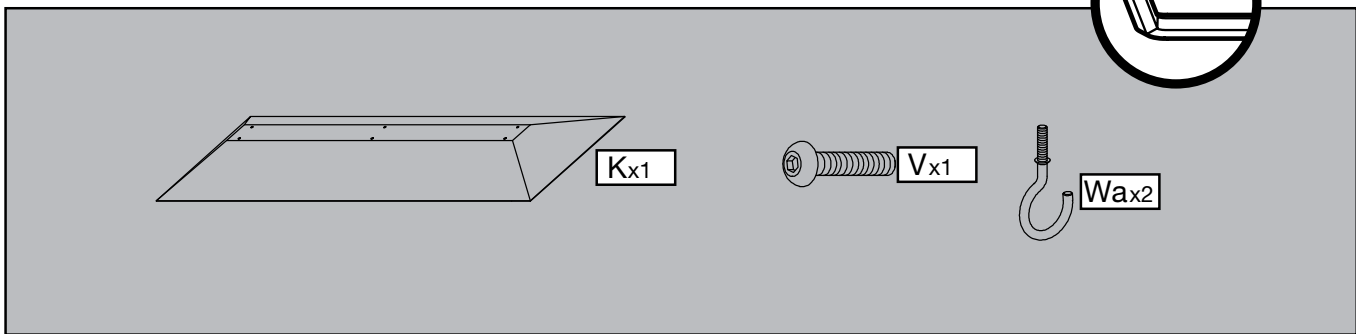
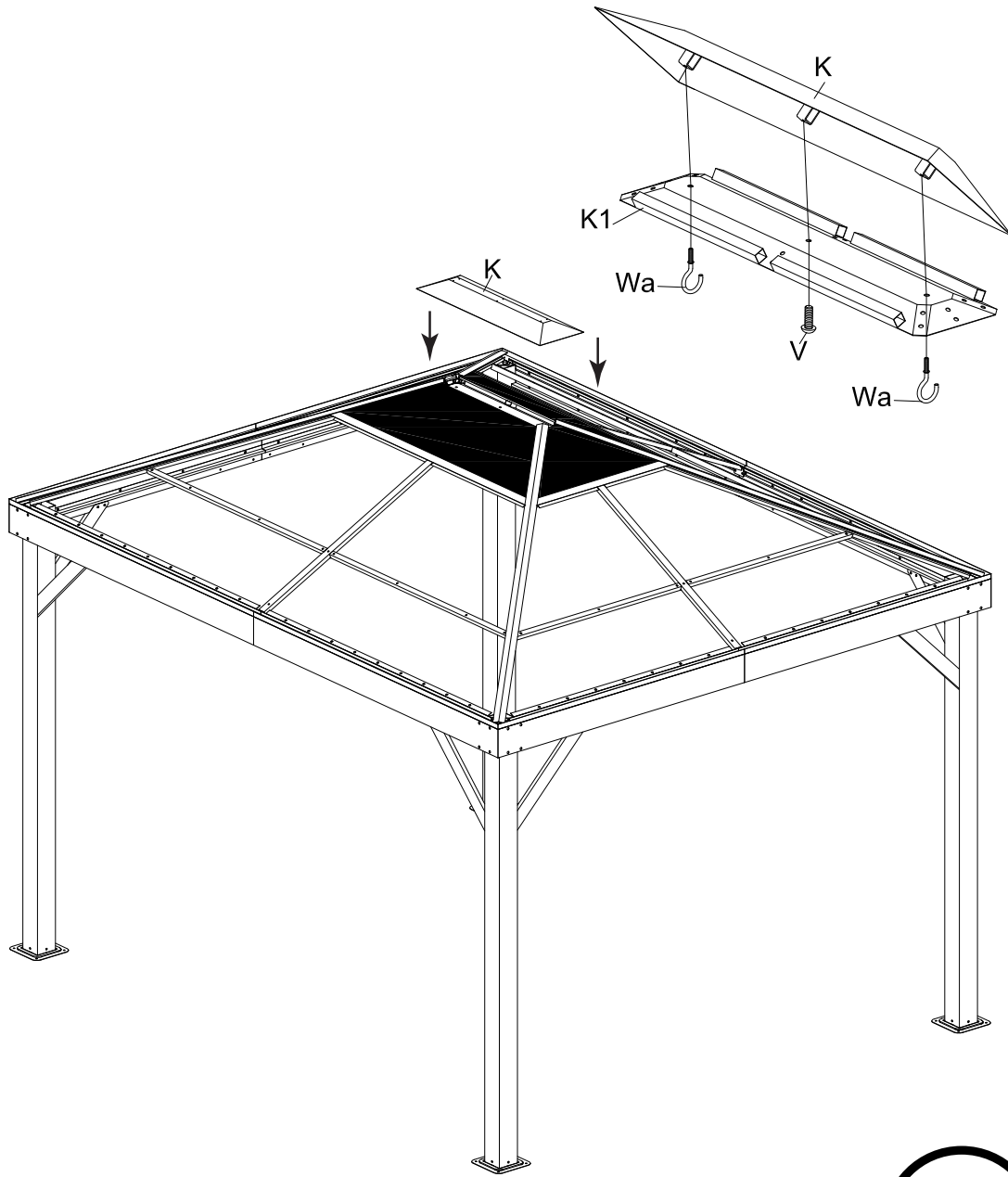


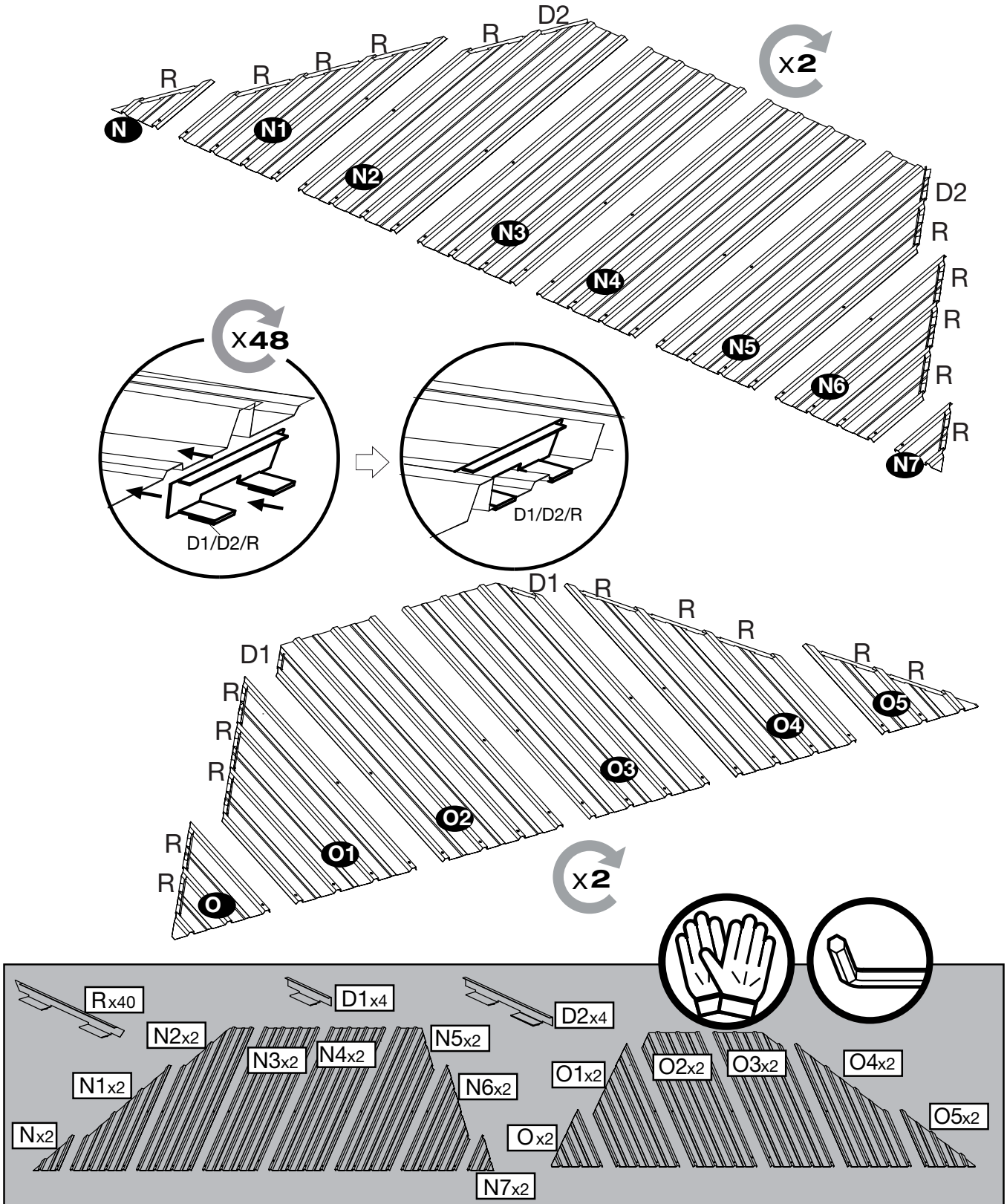


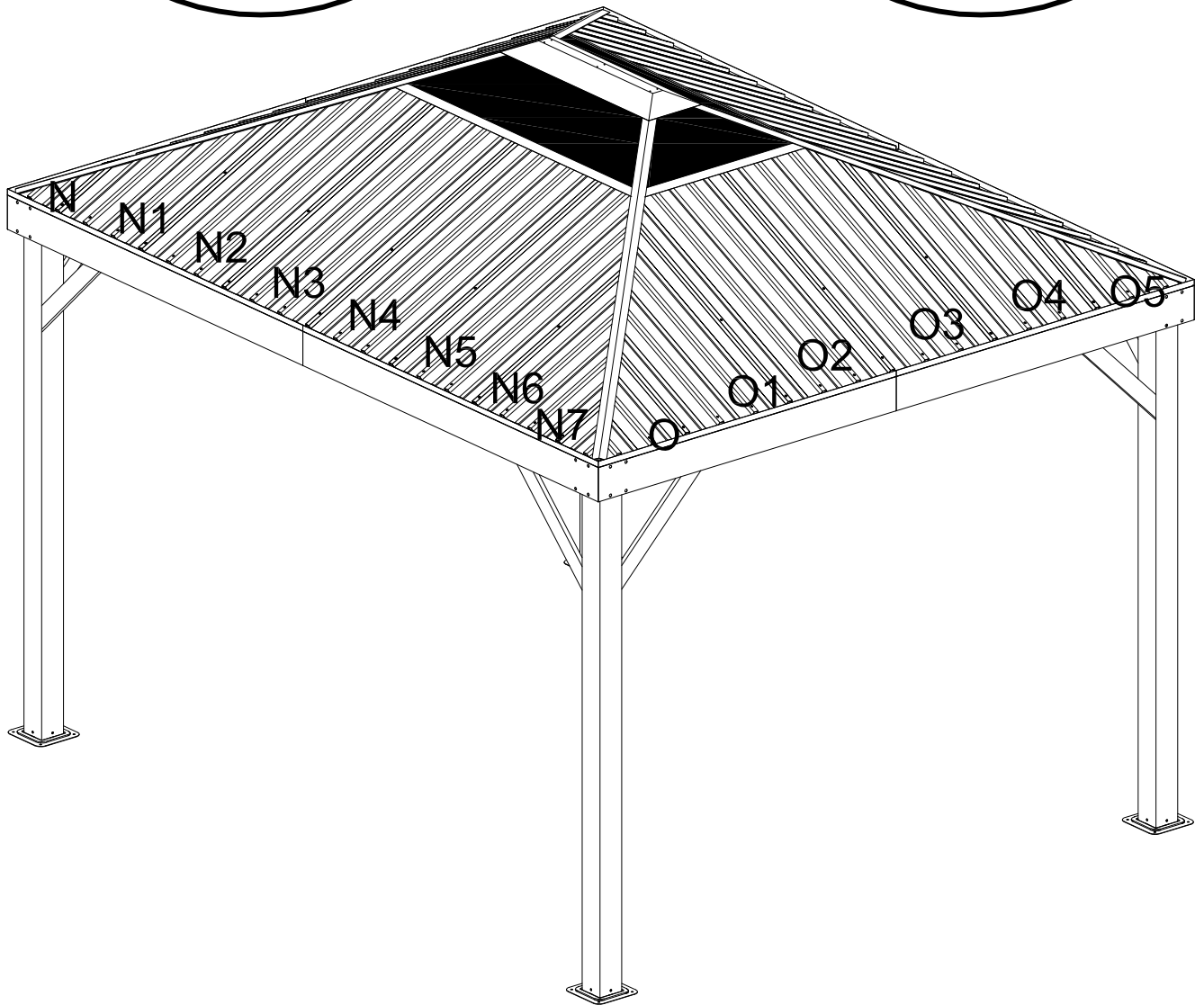
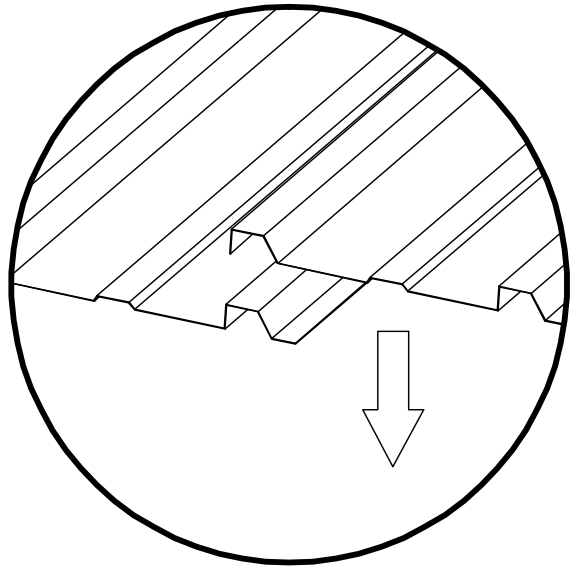
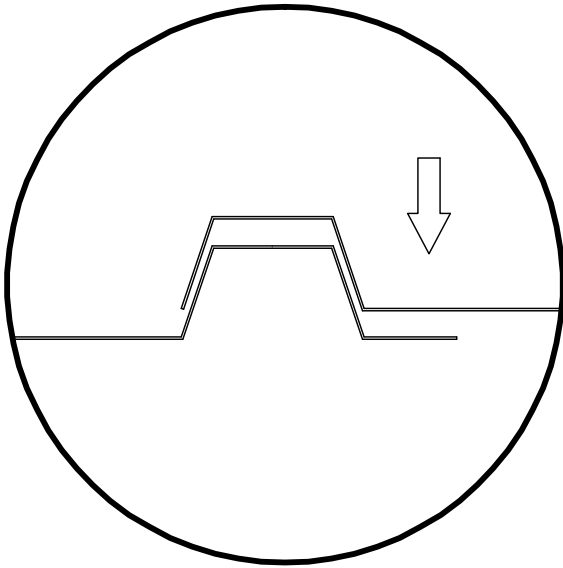
This section lists the components and their quantities for step 9/15. On the left, four long horizontal beams are shown: **H x4**, **H1 x4**, **I x4**, and **I1 x4**. On the right, there are two L-shaped brackets: **M3 x8** and **M4 x8**. At the bottom right, there is a circular icon of an L-shaped bracket and a screw labeled **V x48**.

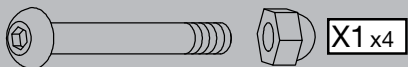
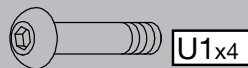
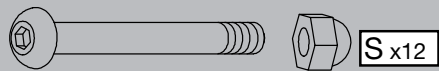
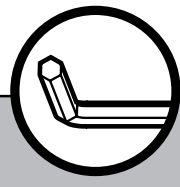
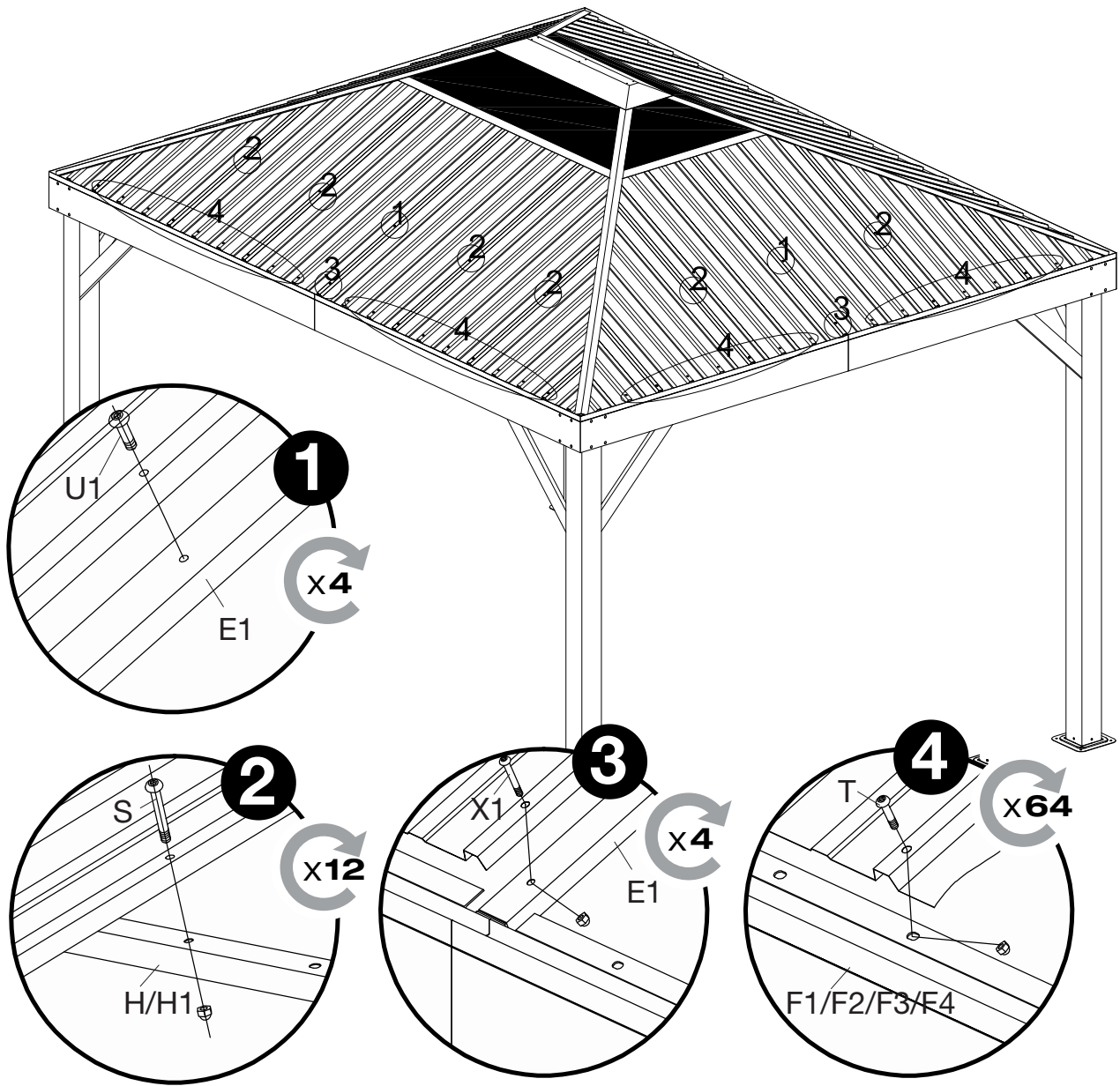


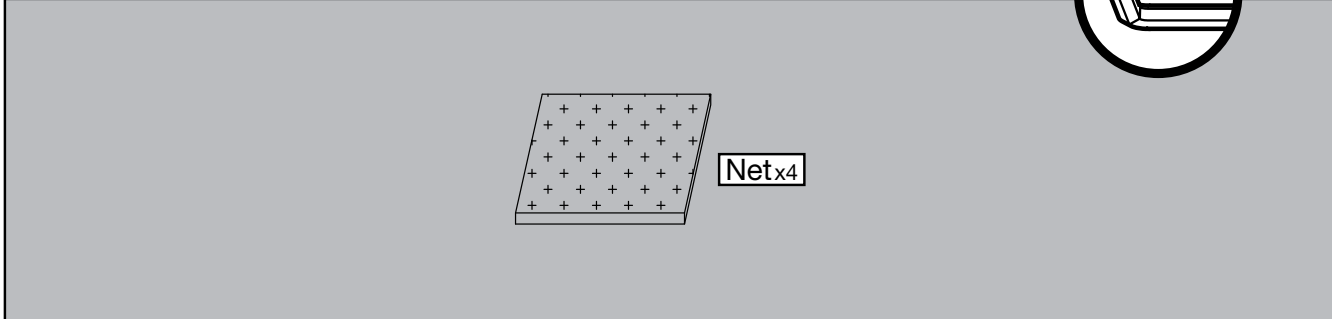
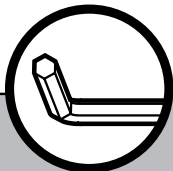
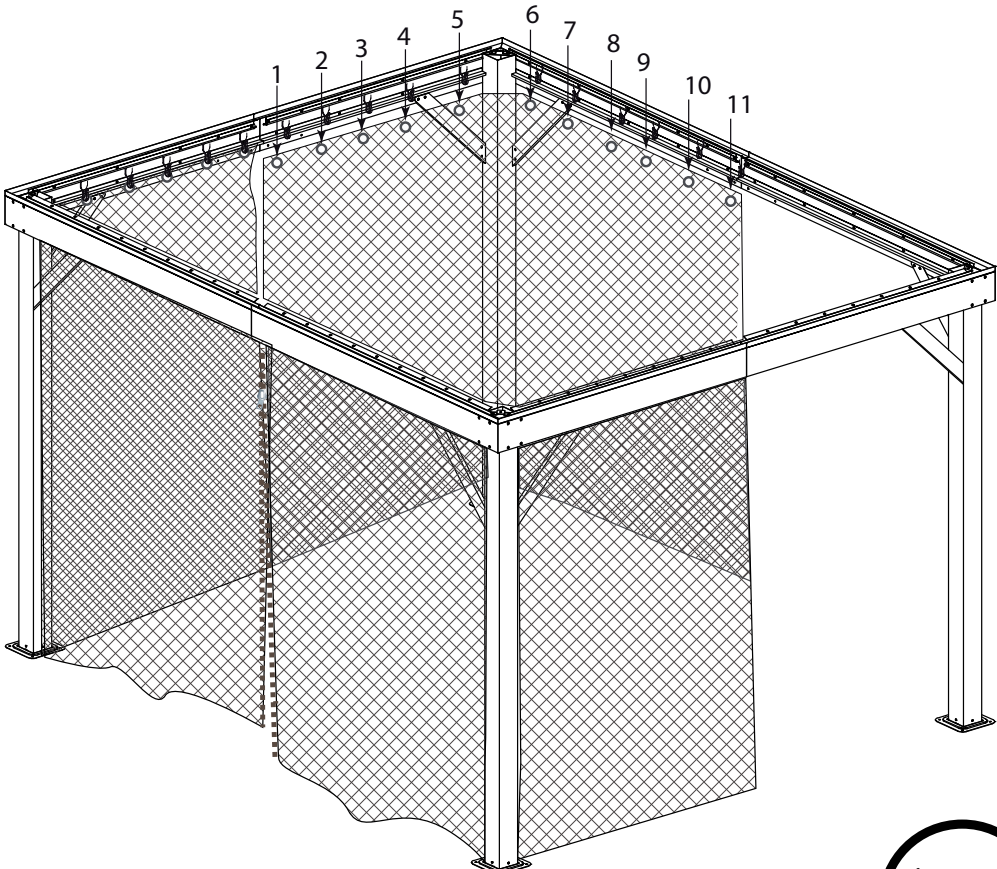
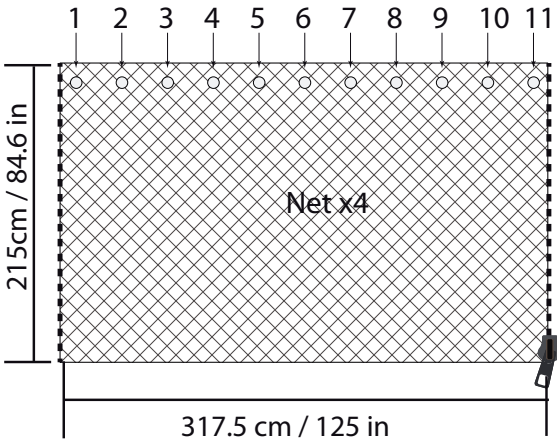












DISTRIBUTED BY:
COSTCO WHOLESALE CORPORATION
P.O. BOX 34535
SEATTLE, WA 98124-1535
USA
1-800-774-2678
WWW.COSTCO.COM

IMPORTADO POR:
IMPORTADORA PRIMEX S.A. DE C.V.
BLVD. MAGNOCENTRO NO. 4
SAN FERNANDO LA HERRADURA
HUIXQUILUCAN, ESTADO DE MÉXICO
C.P. 52765
RFC: IPR-930907-S70
(55)-5246-5500
WWW.COSTCO.COM.MX

COSTCO WHOLESALE SPAIN S.L.U.
POLÍGONO EMPRESARIAL LOS GAVILANES
C/ AGUSTÍN DE BETANCOURT, 17
28906 GETAFE (MADRID) ESPAÑA
NIF: B86509460
900 111 155
WWW.COSTCO.ES

COSTCO WHOLESALE ICELAND EHF.
KAUPTÚN 3-7, 210 GARDABAER
ICELAND
WWW.COSTCO.IS

COSTCO WHOLESALE KOREA, LTD.
40, ILJIK-RO
GWANGMYEONG-SI
GYEONGGI-DO, 14347, KOREA
1899-9900
WWW.COSTCO.CO.KR

COSTCO (CHINA) INVESTMENT CO., LTD.
NO.5178, KANGXIN ROAD,
PUDONG NEW AREA, SHANGHAI
CHINA 201315
+86-21-6257-7065

COSTCO WHOLESALE SWEDEN AB
BOX 614
114 11 STOCKHOLM
SWEDEN
WWW.COSTCO.SE

COSTCO WHOLESALE CANADA LTD.*
415 W. HUNT CLUB ROAD
OTTAWA, ONTARIO
K2E 1C5, CANADA
1-800-463-3783
WWW.COSTCO.CA

* FAISANT AFFAIRE AU QUÉBEC SOUS
LE NOM LES ENTREPÔTS COSTCO

COSTCO WHOLESALE UK LTD /
COSTCO ONLINE UK LTD
HARTSPRING LANE
WATFORD, HERTS
WD25 8JS
UNITED KINGDOM
01923 213113
WWW.COSTCO.CO.UK

COSTCO FRANCE
1 AVENUE DE BRÉHAT
91140 VILLEBON-SUR-YVETTE
FRANCE
01 80 45 01 10
WWW.COSTCO.FR

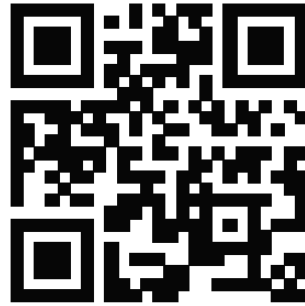
COSTCO WHOLESALE AUSTRALIA PTY LTD
17-21 PARRAMATTA ROAD
LIDCOMBE NSW 2141
AUSTRALIA
WWW.COSTCO.COM.AU

COSTCO WHOLESALE JAPAN LTD.
2 KAKUCHI, 2 GAIKU, KANEDA-NISHI
361 URIKURA, KISARAZU SHI
CHIBA, 292-0007 JAPAN
0570-200-800
WWW.COSTCO.CO.JP

COSTCO WHOLESALE NEW ZEALAND LIMITED
2 GUNTON DRIVE
WESTGATE
AUCKLAND 0814
NEW ZEALAND
WWW.COSTCO.CO.NZ

MADE IN CHINA
FABRIQUÉ EN CHINE
HECHO EN CHINA

Register • Enregistrer • Regístrate
온라인 등록 • Registrieren



ShelterLogic.com/product-registration

SOJAG ■ I