

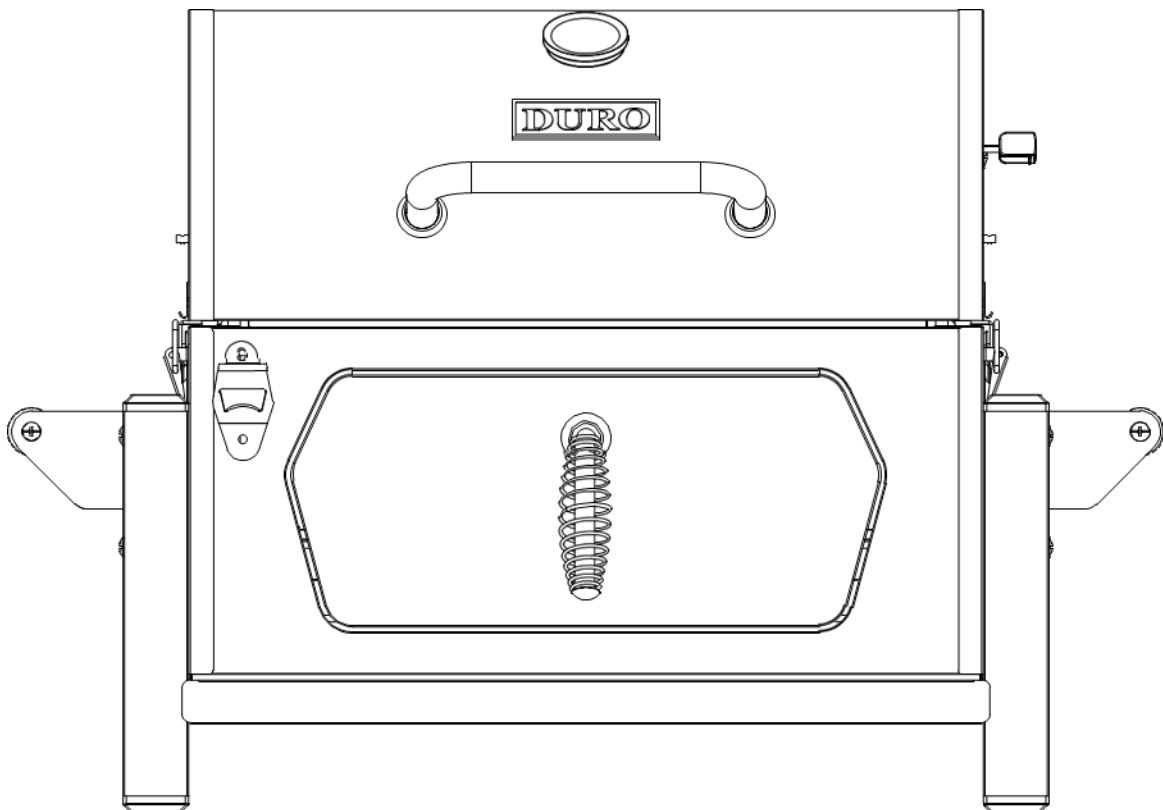


ITM. / ART. 1807282
Model: 19PCG-BK

19 inch Portable Charcoal Grill

Manual for Installation, Care and Maintenance

IMPORTANT, RETAIN FOR FUTURE REFERENCE: READ CAREFULLY



**THIS ITEM IS INTENDED FOR OUTDOOR DOMESTIC USE ONLY.
NOT FOR COMMERCIAL USE.**

Questions, problems, and/or missing parts? Before returning to your retailer, please send an email to our customer service department: nxrcs@duro-global.com



If you prefer to speak to a live agent; call 1-888-909-8818 Monday-Friday 9:00 AM – 5:00 PM PST;
Languages Spoken: English, French, Spanish. (Toll-free in U.S. and Canada only)



WARNINGS:

READ ALL INSTRUCTIONS

- For outdoor use only.
- This instruction manual contains important information necessary for the proper assembly and safe use of the appliance.
- Do not leave the appliance unattended. Keep young children and pets away. Do not move the device during use.
- Not intended to be installed in or on boats and should never be used as a heater.
- Improper installation, adjustment, alteration, service or maintenance can cause property damage, injury or death.
- Read this instruction manual thoroughly before installing or servicing this equipment.
- For safe assembly and operation, take care to avoid sharp edges that could cause cuts or scrapes.
- Light charcoal with appropriate materials. Gasoline, kerosene, and alcohol are strictly prohibited due to the high risk of explosion and potential for serious injury.
- Maintain a minimum clearance of 3.66 m (12 ft) between the grill and any combustible materials like decks, buildings, fences, trees, or bushes.
- Never relocate the grill while in use or when containing hot coals or ashes. Allow it to cool completely first.
- Avoid placing the grill near flammable liquids, gases, or areas with potential flammable vapors.
- When using oil or grease for cooking, ensure the temperature remains below 176.67°C (350°F). Refrain from storing or using excess cooking oil near the grill or any other grilling equipment.
- For safety purposes, utilize gloves or other protective gear when handling ash pan hangers.
- Do not exceed a temperature of 204.45°C (400°F).
- To extend the lifespan of your grill, avoid direct contact between charcoal or wood and the grill walls.
- Protect your hands from burns by always wearing grill gloves. Refrain from touching hot surfaces.



WARNING: FUELS USED IN WOOD OR CHARCOAL BURNING APPLIANCES, AND THE PRODUCTS OF COMBUSTION OF SUCH FUELS, CAN EXPOSE YOU TO CHEMICALS INCLUDING CARBON BLACK, WHICH IS KNOWN TO THE STATE OF CALIFORNIA TO CAUSE CANCER, AND CARBON MONOXIDE, WHICH IS KNOWN TO THE STATE OF CALIFORNIA TO CAUSE BIRTH DEFECTS OR OTHER REPRODUCTIVE HARM. For more information go to:
www.P65Warnings.ca.gov



SAFETY PRECAUTIONS:

READ ALL INSTRUCTIONS

- **Cooling:** Allow the grill to cool completely before anyone approaches it for cleaning or storage. Never leave anyone unattended near a hot grill.
- **Cookware:** Only use cookware designed for grill use. This excludes glass, plastic, and ceramic materials. Avoid placing empty cookware in the grill while it's hot.
- **Storage:** Store the grill only when the fire is completely extinguished, and all surfaces are cool to the touch. Do not store ashes or charcoal inside the grill.
- **Carbon Monoxide Hazard:** This grill is not intended for use as a heater. Carbon monoxide poisoning is a serious risk.
- **Hot Surfaces:** Use caution! The grill, including its surfaces and cookware, will be hot during and after use. Wear protective gloves and mitts to avoid burns.
- **Food Removal:** Use long, sturdy cooking tools and protective gloves when removing food from the grill to prevent burns from hot surfaces or splattering liquids.
- **Stability:** Avoid bumping or impacting the grill to prevent personal injury, damage to the grill, or spills.
- **Steam and Vents:** Maintain a safe distance from the grill's doors and vents while it's in use. Be aware of the hot steam and air that are expelled.
- **Air Dampers:** Wear protective gloves when adjusting the air dampers, as they become hot during use and cooling.
- **Open Flame:** Keep a safe distance from the open flame, burning charcoal, and hot surfaces. Avoid leaning over the grill while lighting it. Secure loose hair and clothing to prevent them from catching fire.
- **Ventilation:** Do not obstruct the flow of combustion air and ventilation.
- **Aluminum Foil:** Avoid covering the cooking racks with aluminum foil, as this can trap heat and damage the grill.
- **Ash Disposal:** Allow coals and ashes to cool completely before disposal. Soak them in water placed in aluminum foil before discarding them in a non-combustible container.
- **Fuel Preparation:** Allow the fuel to preheat until red hot for at least 30 minutes before using the grill. Do not begin cooking until the fuel has a light ash coating.
- **Ash Removal:** Never remove the ash can while the ashes and charcoal are hot.
- **Protective Gear:** Always wear protective gloves when handling the hot grill or working with fire. Use gloves or long, sturdy tools when adding charcoal.
- **Charcoal Loading:** Never overload the charcoal grate, as this can cause injury and damage to the grill.
- **Lighter Fluid:** Never add lighter fluid to ignited charcoal. Refer to the lighter fluid container for proper instructions.



OPERATING INSTRUCTIONS:

READ ALL INSTRUCTIONS

Preparation:

1. **Open the Grill:**

- Raise the cooking grate, open the charcoal door, and fully open the air dampers to allow for proper airflow and ignition.

2. **Load the Charcoal:**

- Place charcoals on the charcoal tray. Stack the charcoal in a pyramid shape for optimal airflow.
- Fuel Restriction: Use only charcoal as fuel. Do not use any other fuel sources in your grill.

3. **Lighting with Lighter Fluid (Caution):**

- Safety First: Close the charcoal door before proceeding.
- Lighter Fluid Use: Follow the specific instructions provided on the lighter fluid container.
Important: Always add lighter fluid at least 9.15 m (30 ft) away from the grill for safety reasons. Never lean over the grill while lighting the charcoal.
- Light the charcoal according to the lighter fluid container's instructions. **Leave the grill lid open during this step.**

4. **Charcoal Burning:**

- Allow the charcoal to burn for approximately 20 minutes. The flames will subside, and the charcoal will begin to ash over.

5. **Spreading the Coals:**

- Once the charcoal is completely covered in ash, spread the coals into a single layer using appropriate grilling tools.

6. **Adding More Charcoal (Optional):**

- If your cooking session will exceed 30 minutes, you may add additional charcoal for sustained heat.
- To add more charcoal:
 - After spreading the initial coals, add briquettes to the outer edge of the fire.
 - Once these additional briquettes are 80% covered in ash, transfer them to the center of the fire as needed to maintain consistent cooking temperature.
- Always refer to the instructions and warnings on the charcoal bag for safe handling.

7. **Positioning the Cooking Grate:**

While wearing protective gloves, carefully lower the cooking grate back into its position.



OPERATING INSTRUCTIONS (Continued):

READ ALL INSTRUCTIONS

8. Heat Circulation:

Do not cover the cooking grate with aluminum foil, as this can trap heat and disrupt proper heat circulation.

Cooking and Temperature Control:

9. Food Placement:

- Place your food in the center of the preheated cooking grate.
- Avoid overloading the grill with food. Excessive amounts of food can trap heat, extend cooking times, and lead to uneven results.
- Leave space between food items and the grill sides to ensure proper heat circulation.
- If using cooking pans, position them in the center of the grate for even cooking.

10. Adjusting Temperature:

- To achieve the desired cooking temperature, adjust the grill's air dampers and charcoal tray height.
 - Close the air dampers to retain moisture and heat during cooking. Conversely, open the dampers slightly to release moisture when cooking fish or jerky.
 - Begin with the cooking grate in the lowest position and raise it gradually to reach the desired temperature.

Searing Tip:

- The adjustable charcoal tray can be positioned closer to the cooking grate for searing purposes. This helps lock in the juices of your meat. Searing typically takes only a few minutes per side. Be mindful not to burn the food. After searing, return the charcoal tray to its original position for further cooking.

Additional Notes:

- Extremely cold weather may extend cooking times.
- Allow the grill to cool completely before cleaning. Cleaning your grill after every use is essential to extend its lifespan and prevent mold and mildew growth.



CARE AND MAINTENANCE:

Safety First:

- Always ensure the grill is completely cool to the touch before cleaning or storing it.

Regular Inspection:

- Regularly inspect the grill's hardware and assembled parts to verify it's in safe working condition.

Ash Removal:

- After each use, wait until the ashes have completely cooled before emptying the ash tray.

Cleaning:

- Use mild dish soap and water to clean the grill and cooking grate. Wipe down the grill's exterior with a damp cloth.
- **Important:** Avoid using oven cleaner or other harsh cleaning agents. Make sure to dry all surfaces thoroughly after cleaning.

Ash Tray and Firebox Maintenance:

- Once the ashes are cool, clean the ash tray and the inside of the firebox after every use to remove ash buildup, residue, and dust.

Ash Disposal:

- Allow ashes to cool completely before disposal. Wrap them in aluminum foil, soak them with water, and discard them in a non-combustible container.

Storage:

- Always store the grill in a covered and dry area. Only store the grill when the fire is completely extinguished, and all surfaces are cool.

Seasonal Storage:

- Even when using a grill cover, it's recommended to check your grill periodically, especially during periods of infrequent use. This helps prevent potential rust and corrosion caused by moisture buildup.



ASSEMBLY:

CAUTION!

- **THIS UNIT IS HEAVY! DO NOT** attempt to assemble without a helper.
- Some parts may contain sharp edges – especially as noted in each assembly step! Wear protective gloves if necessary.
- **Tools required for assembly (Not included)**

Carefully Read All Instructions Completely Before Starting Assembly

Work Area:

- Choose a clean, flat surface for assembly to avoid scratching or damaging the grill components.

Required Tools:

- Gather the necessary tools for assembly:
 - 8-inch Phillips head screwdriver (Not included)
 - Pliers or adjustable wrench (optional) (Not included)

Estimated Assembly Time:





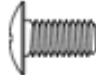




- Allow approximately 30 minutes to complete the assembly process.

Note:

- Certain assembly steps may have already been completed at the factory.

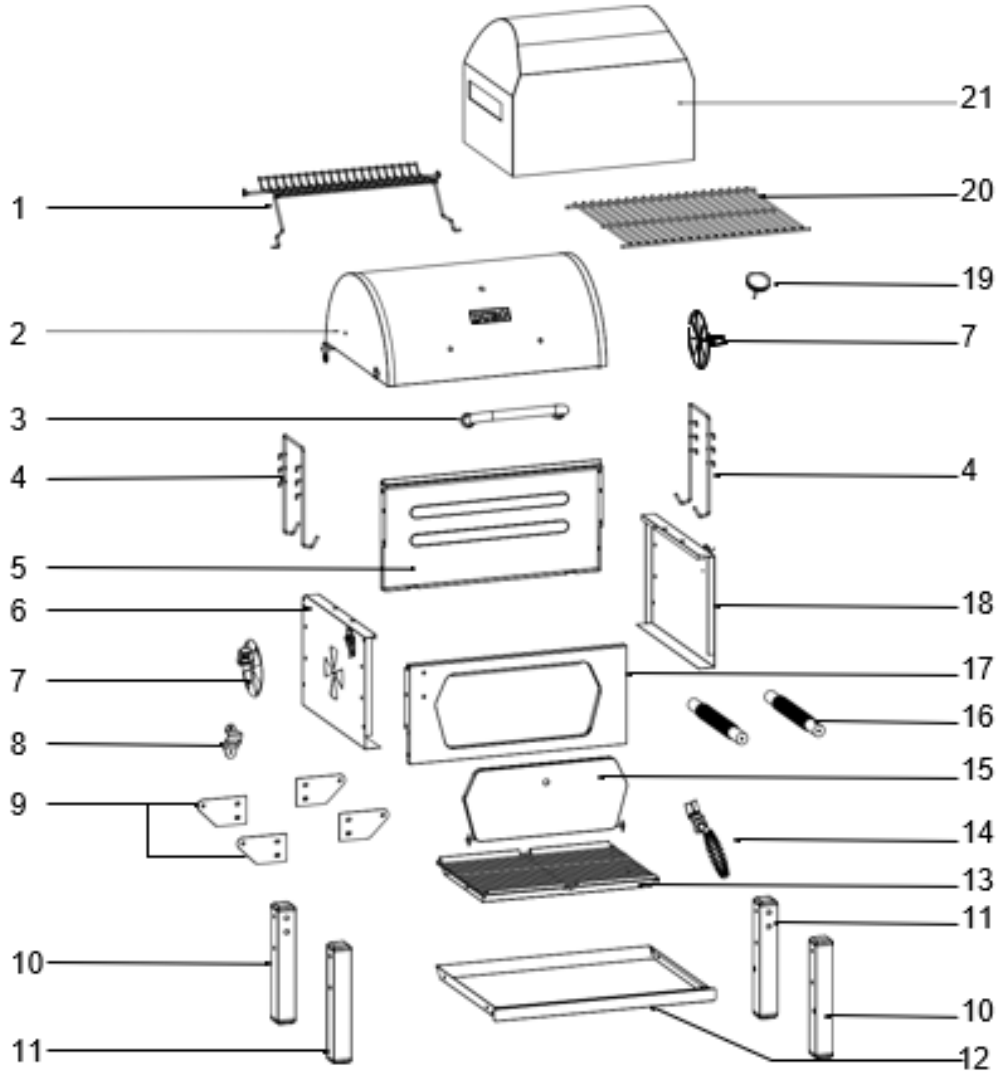


Hardware List

AA 8pcs	 M5x50
BB 8pcs	 M5x10
CC 8pcs	 M4x10
EE 2pcs	 M4x10
FF 4pcs	 M6x12
GG 6pcs	 M6x20
II 2pcs	 M6
JJ 2pcs	 M6
KK 4pcs	 M6 Washer

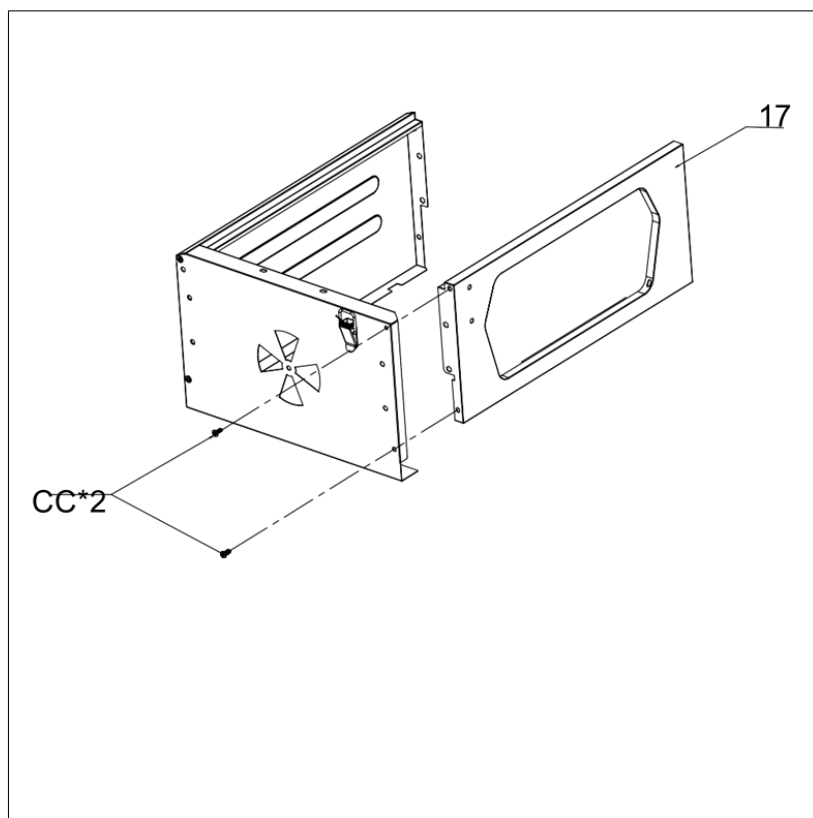
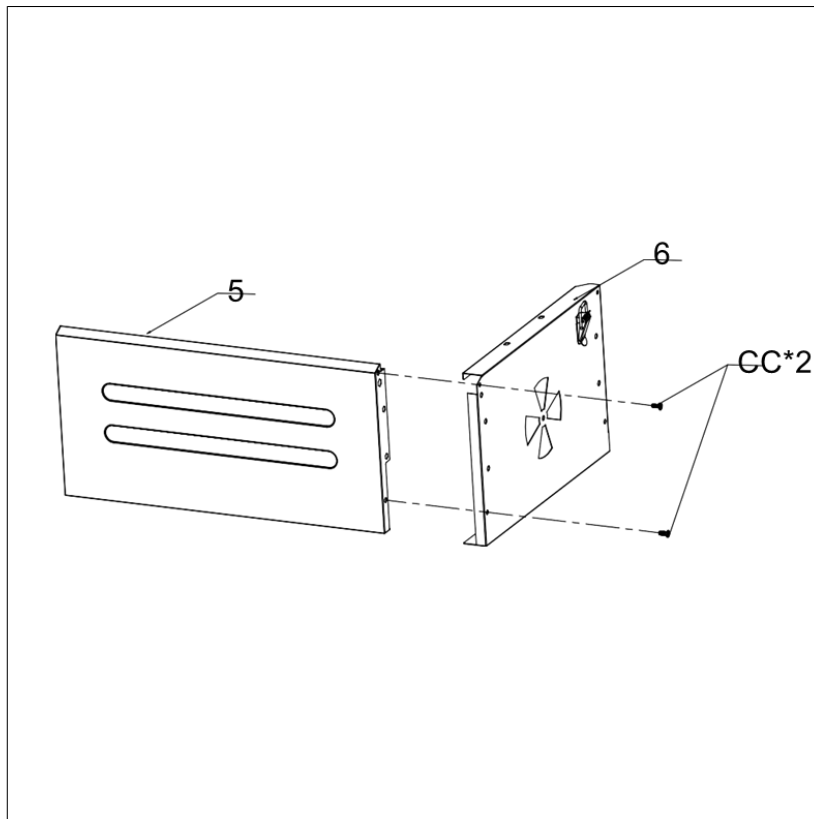


Parts List

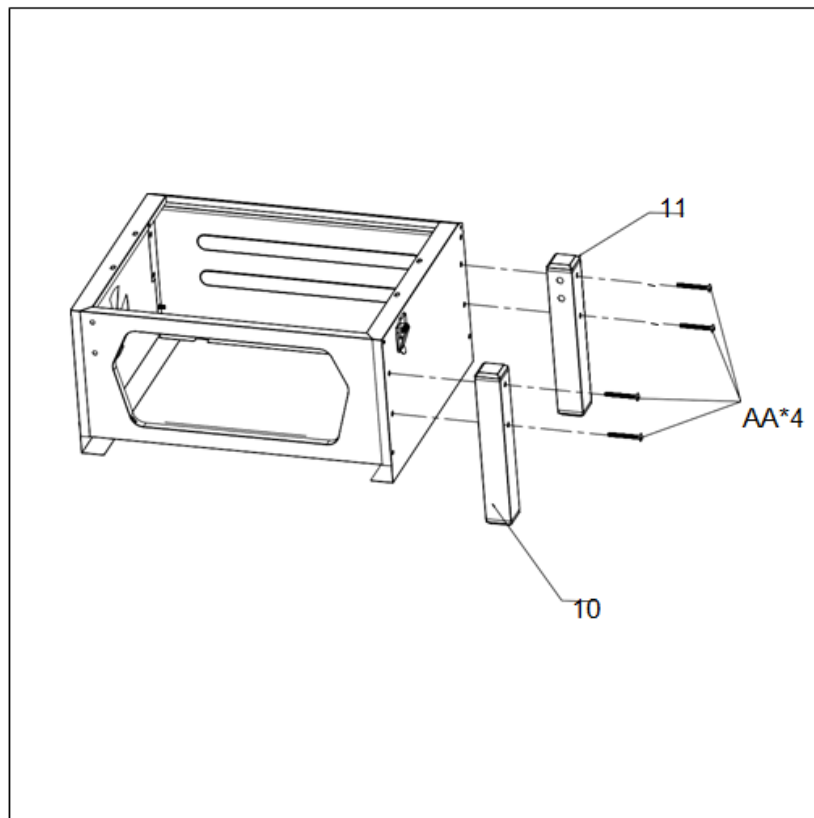
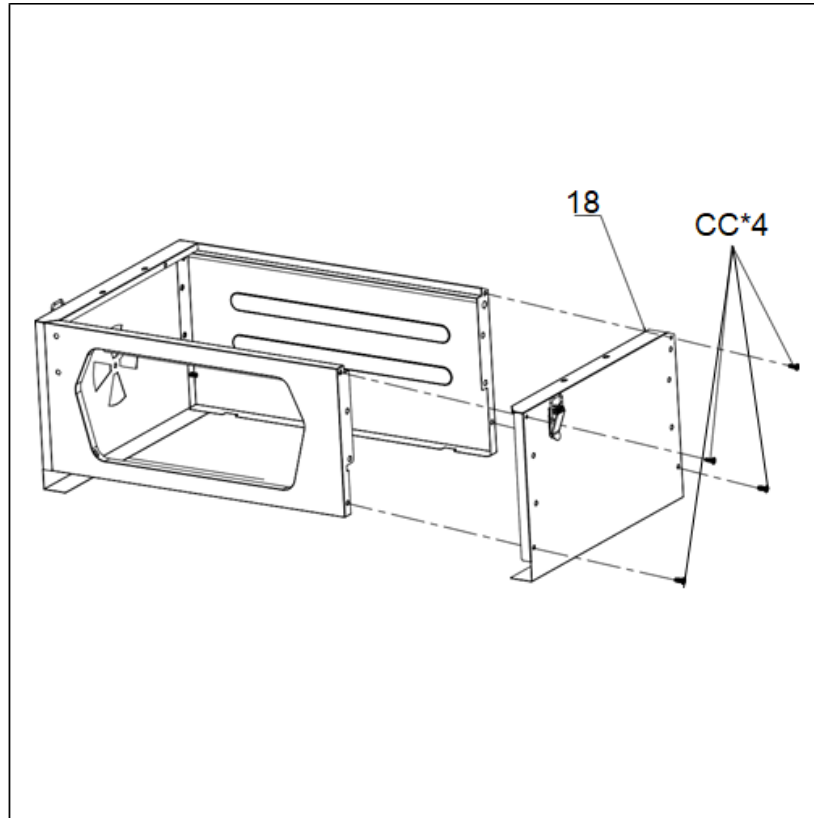


No.	Part Description	QTY.	No.	Part Description	QTY.
1	Warming Rack	1	12	Ash Tray	1
2	Lid	1	13	Charcoal Tray	1
3	Lid Handle	1	14	Front Door Handle	1
4	Cooking Height Adjuster	2	15	Front Door	1
5	Firebox Rear Panel	1	16	Grill Handles	2
6	Firebox Left Panel	1	17	Fire Box Front Panel	1
7	Slotted Adjustment Panel	2	18	Fire Box Right Panel	1
8	Bottle opener	1	19	Temperature Gauge	1
9	Handles Support Beams	4	20	Cooking Grid	1
10	Left Rear Leg / Right Front Leg	2	21	Grill Cover	1
11	Left Front Leg / Right Rear Leg	2			

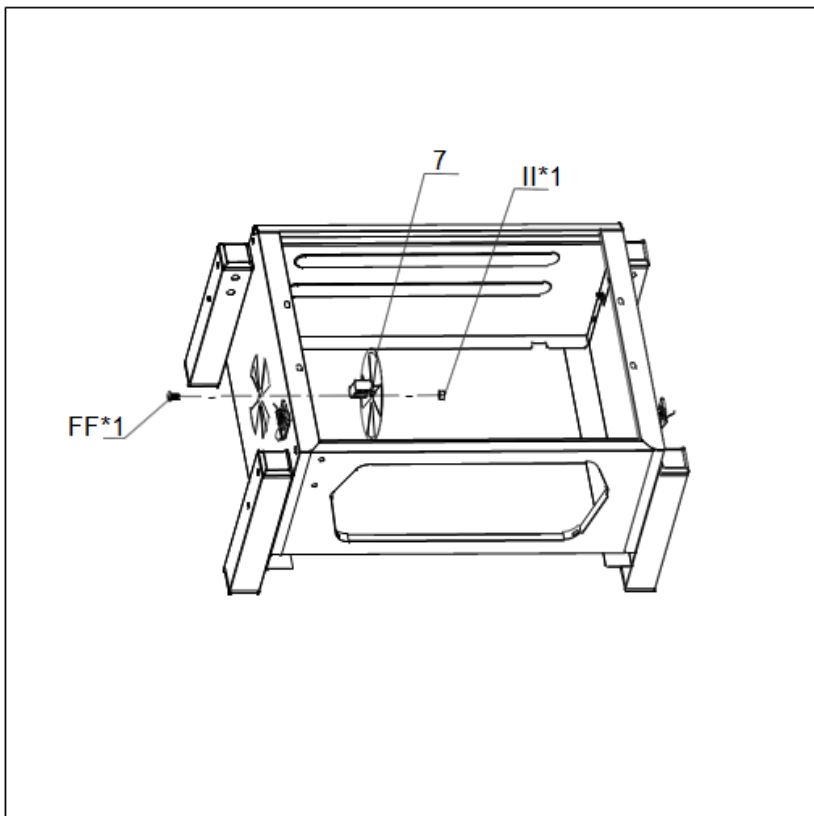
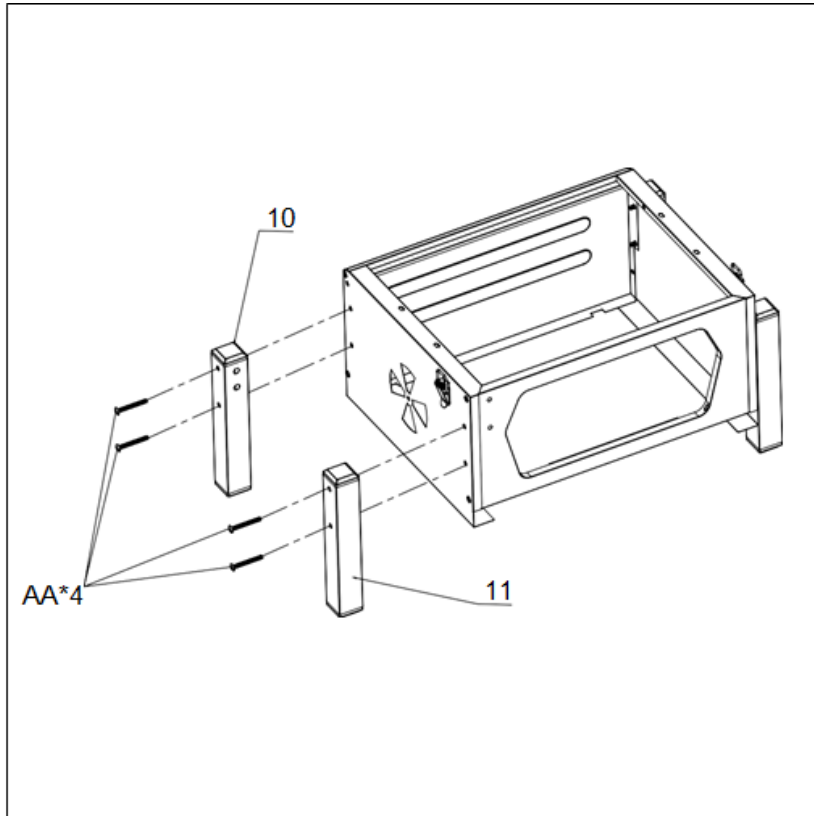
Assembly Instructions



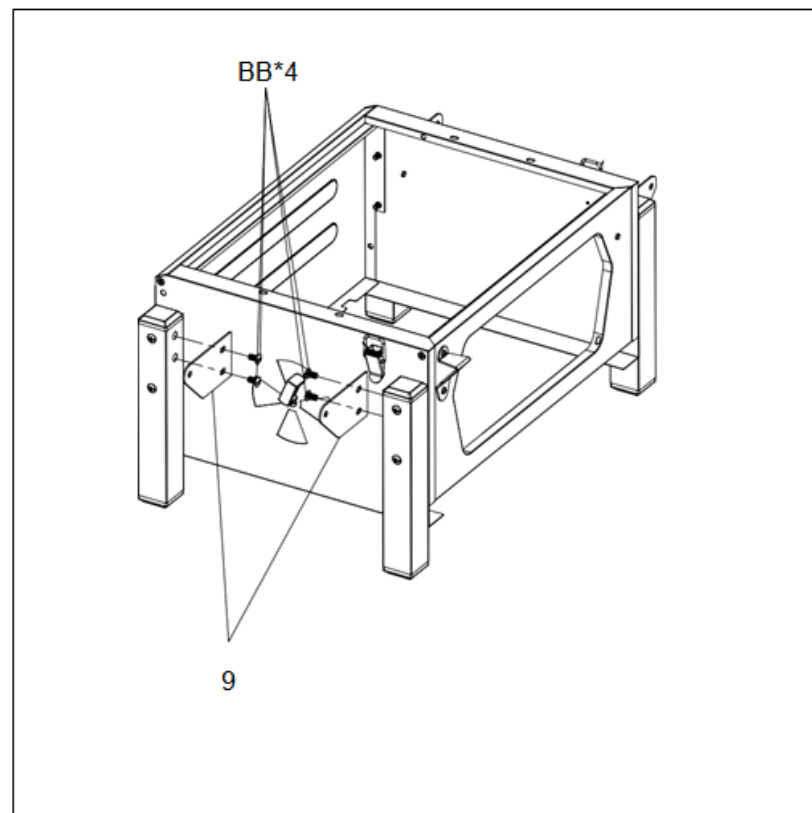
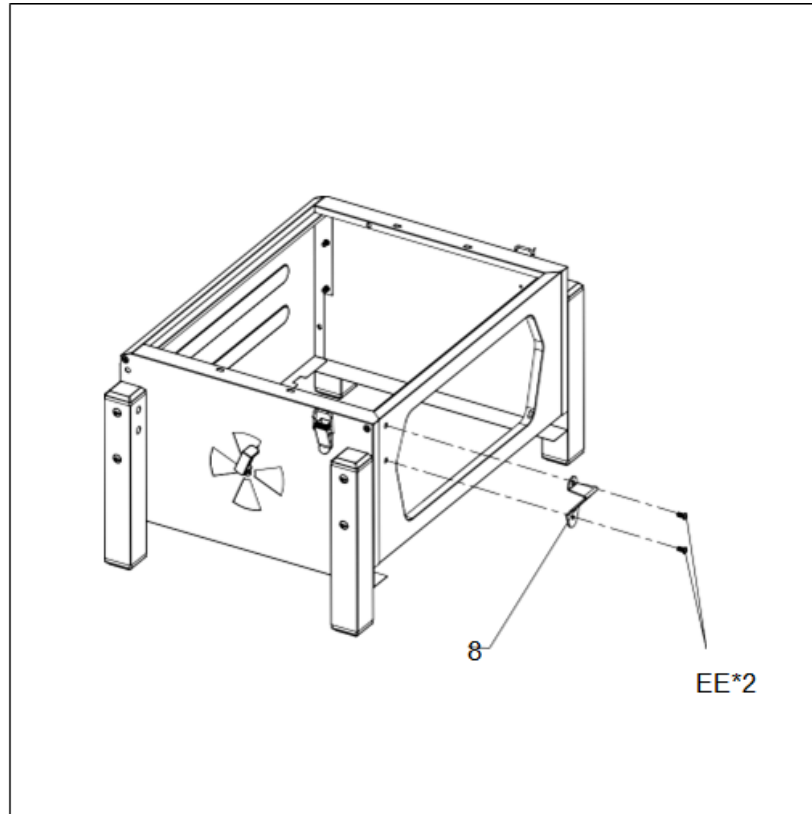
Assembly Instructions



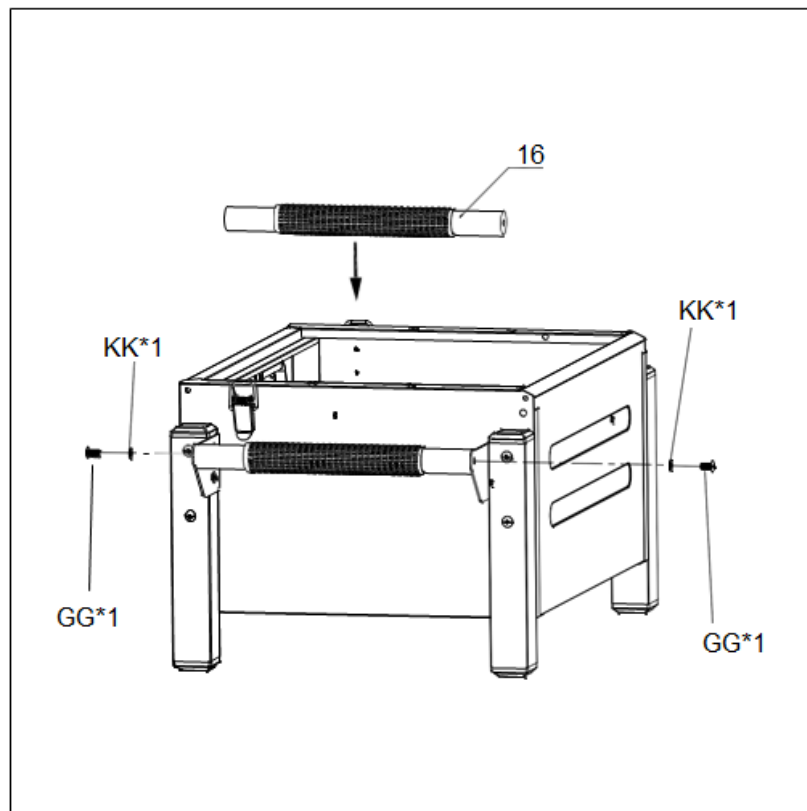
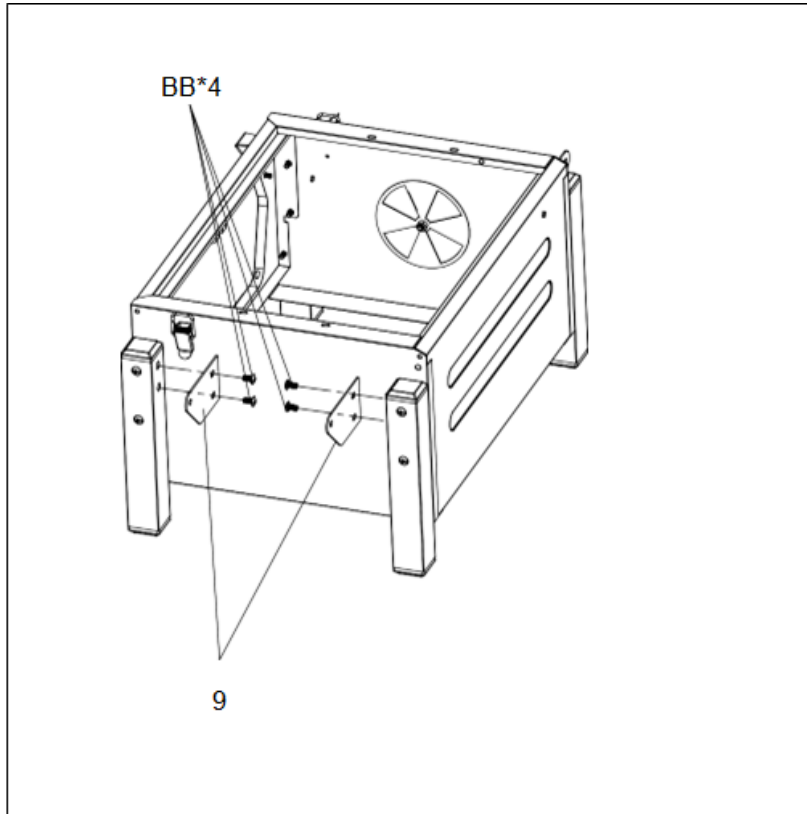
Assembly Instructions



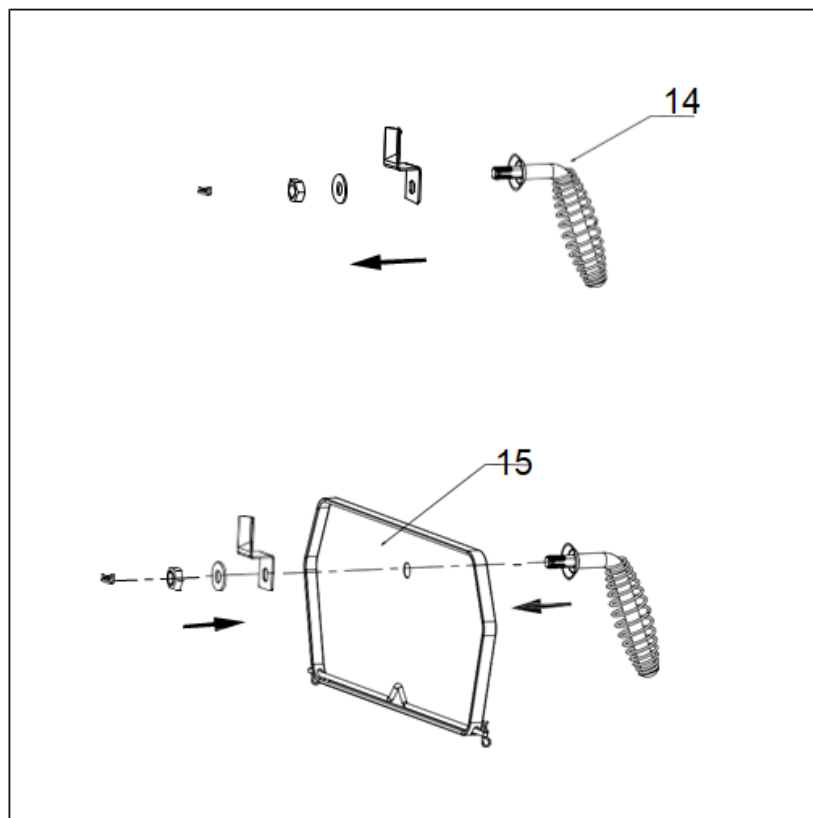
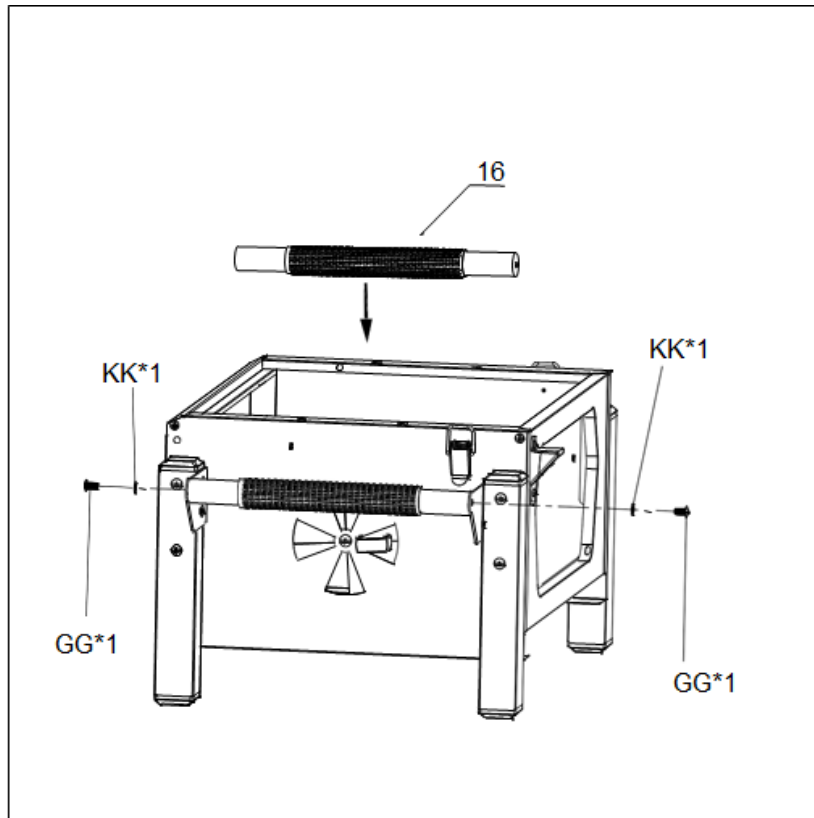
Assembly Instructions



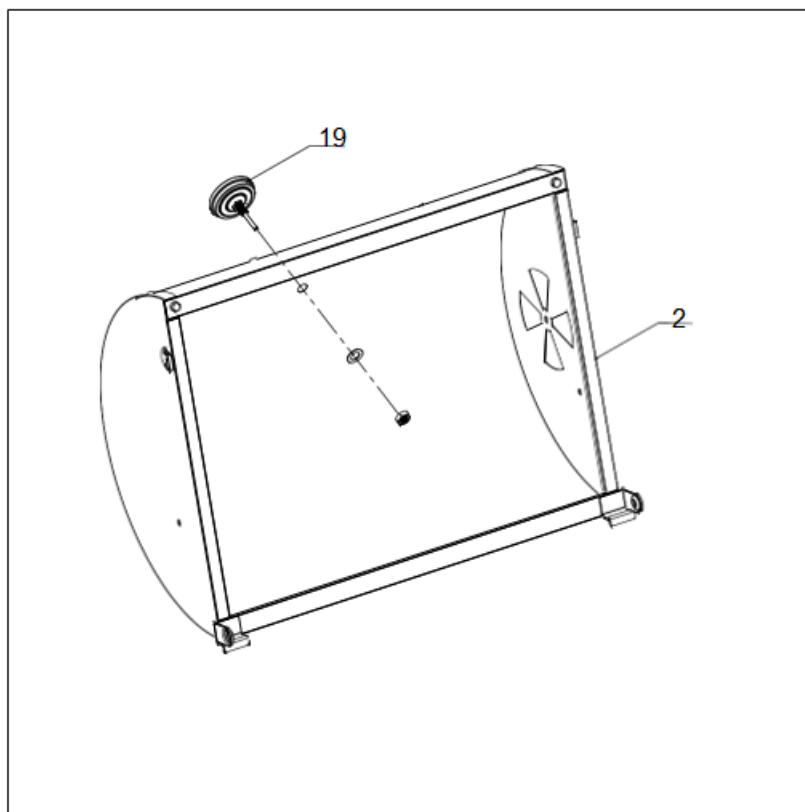
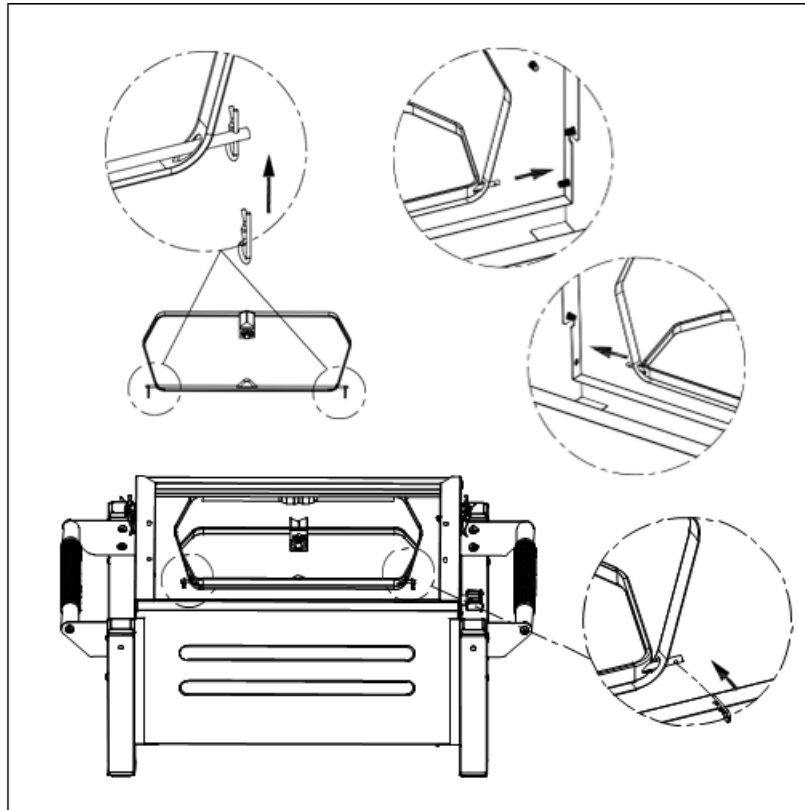
Assembly Instructions



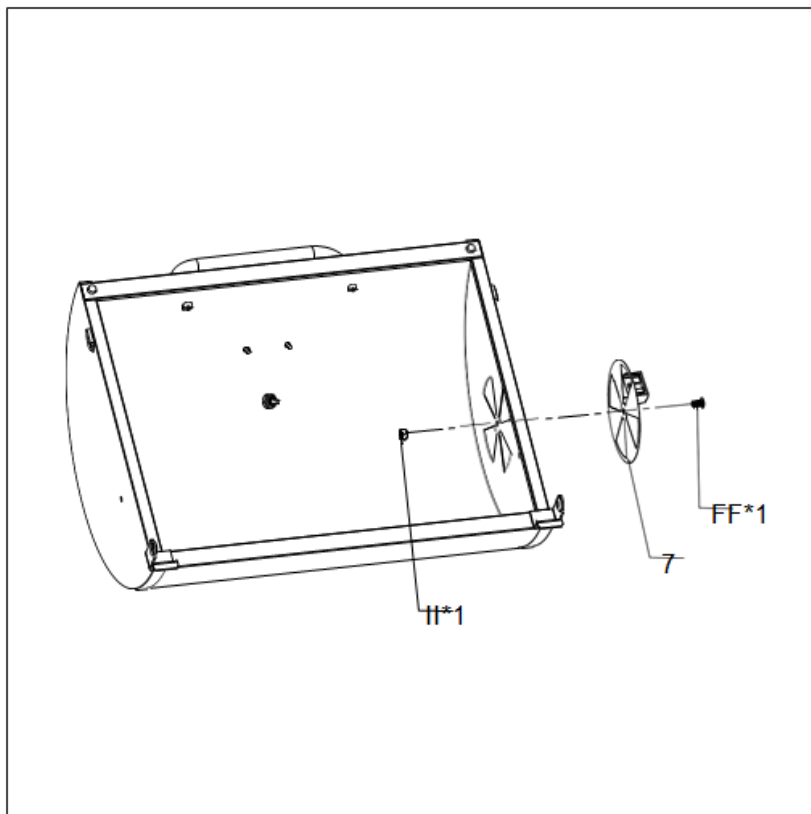
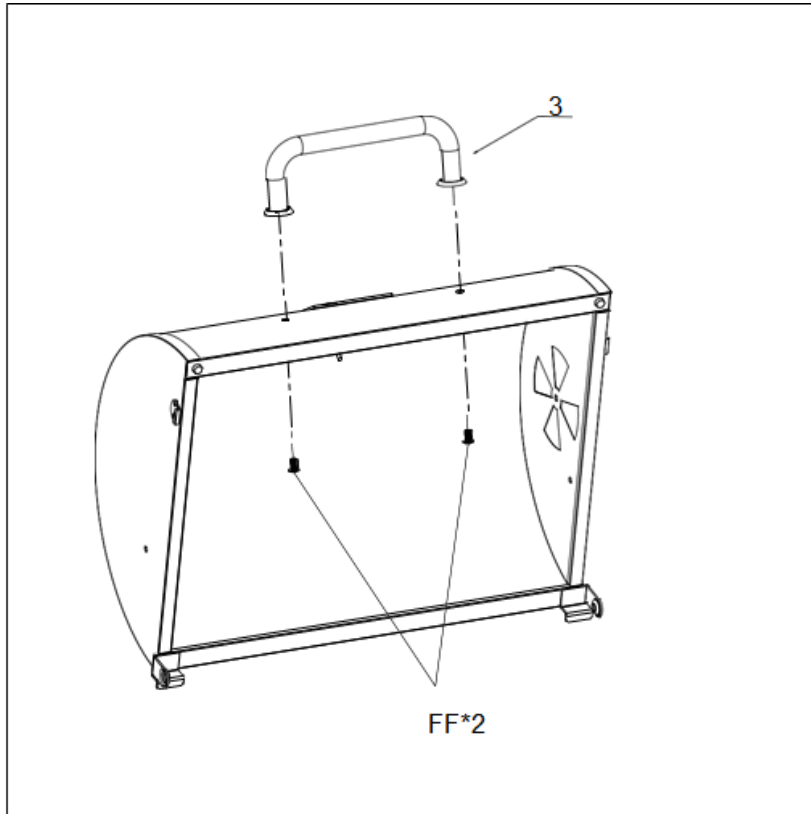
Assembly Instructions



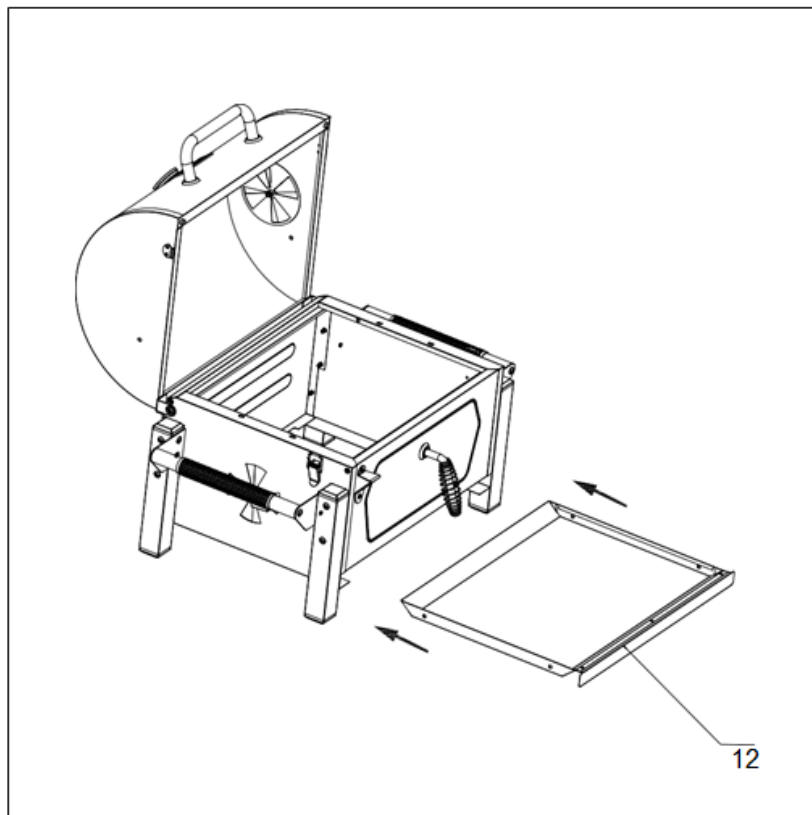
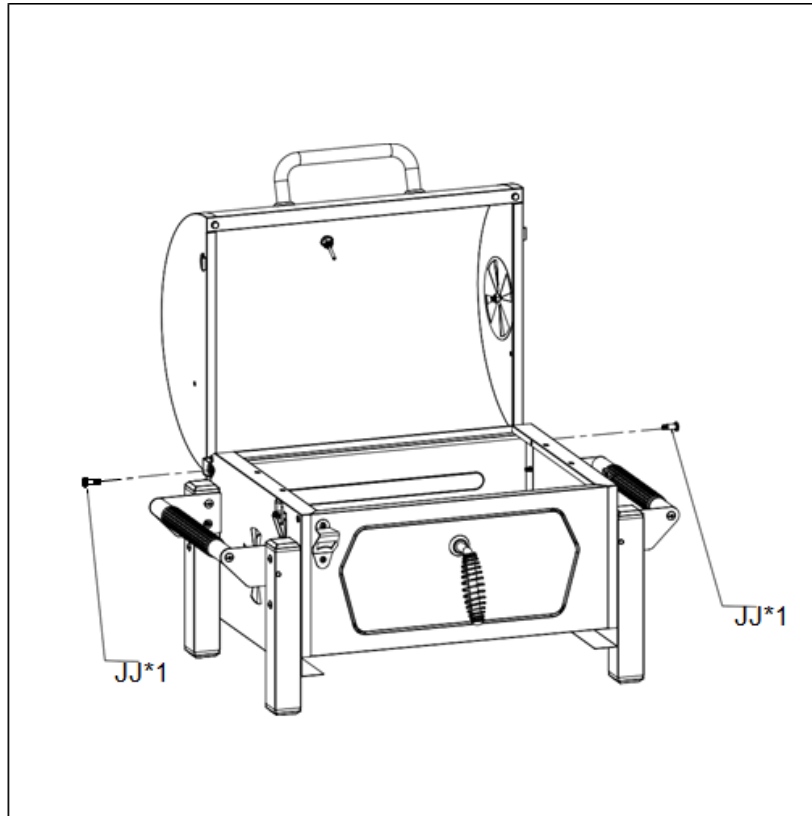
Assembly Instructions



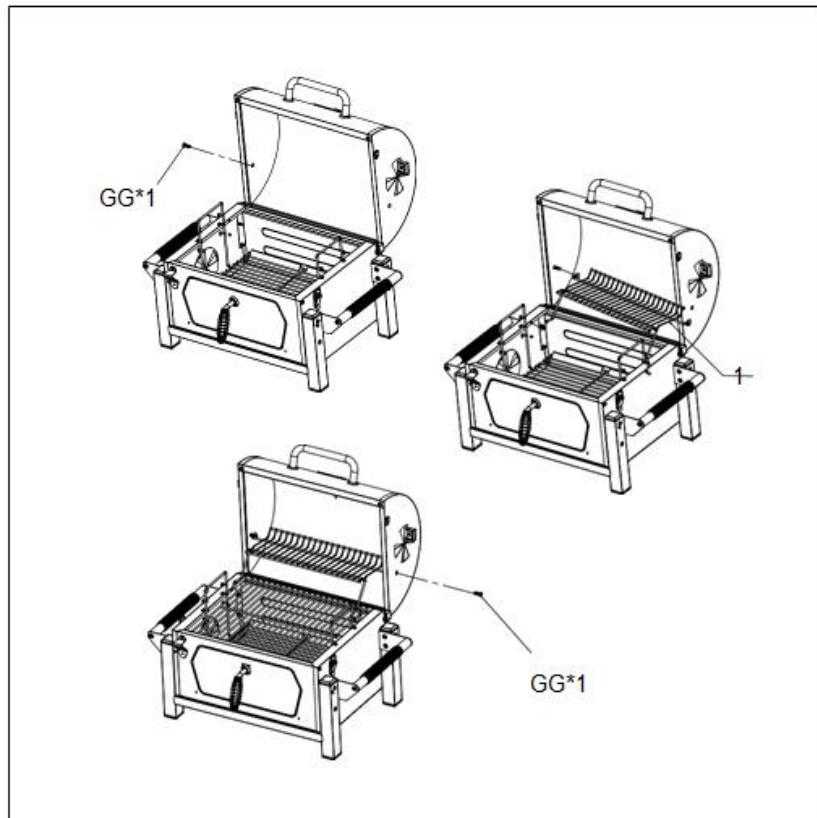
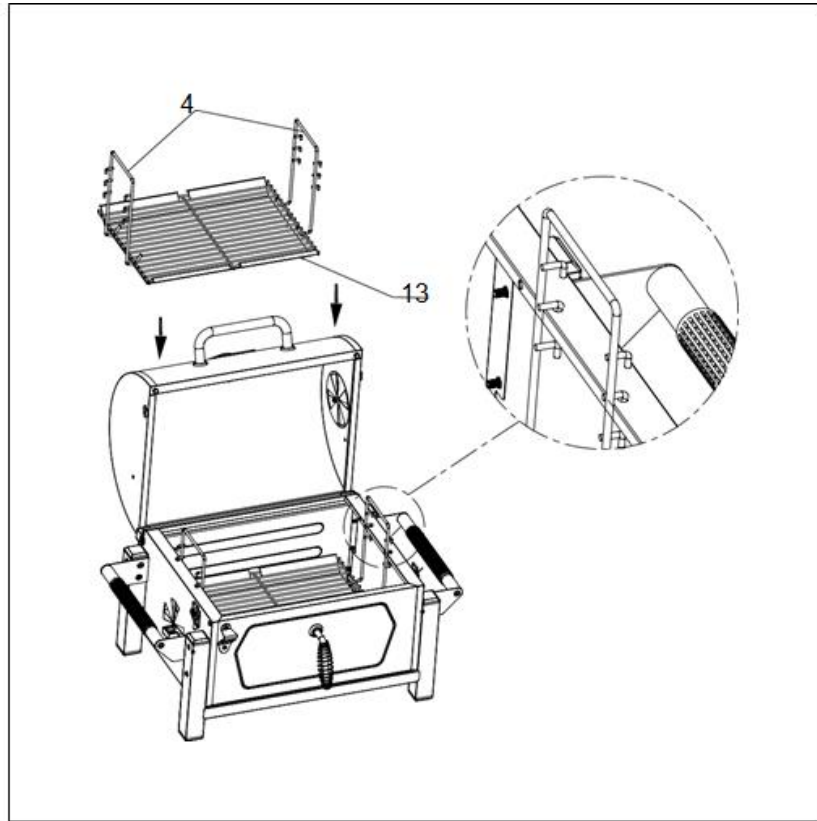
Assembly Instructions



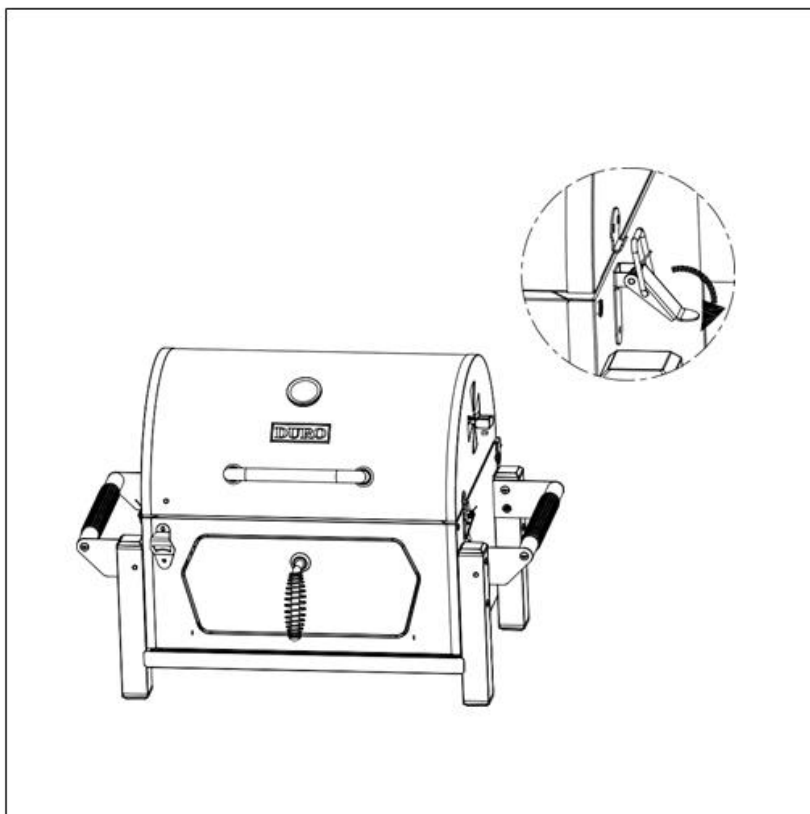
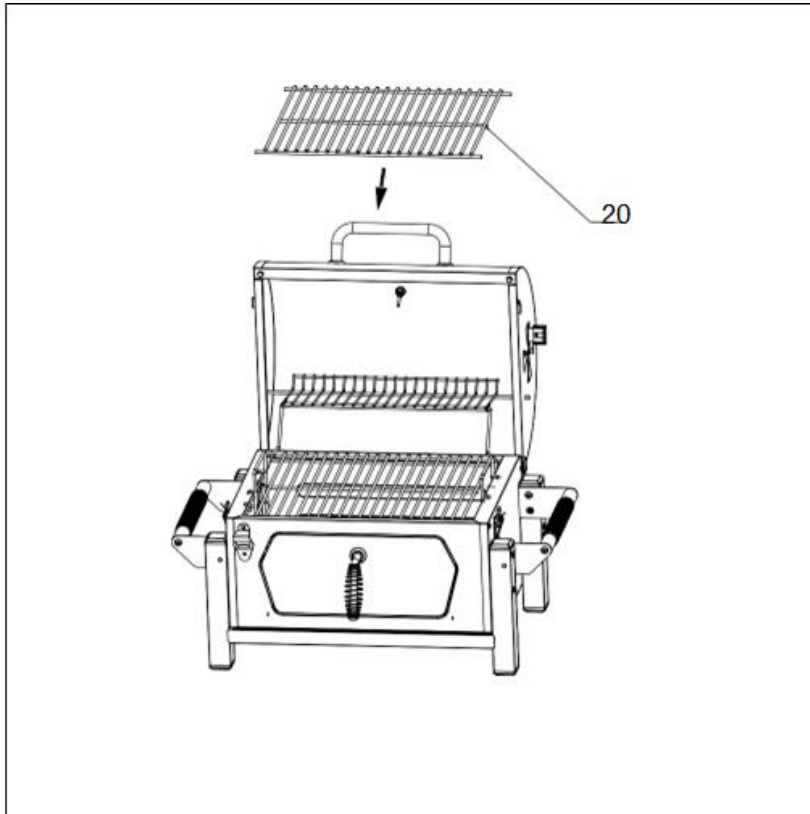
Assembly Instructions



Assembly Instructions

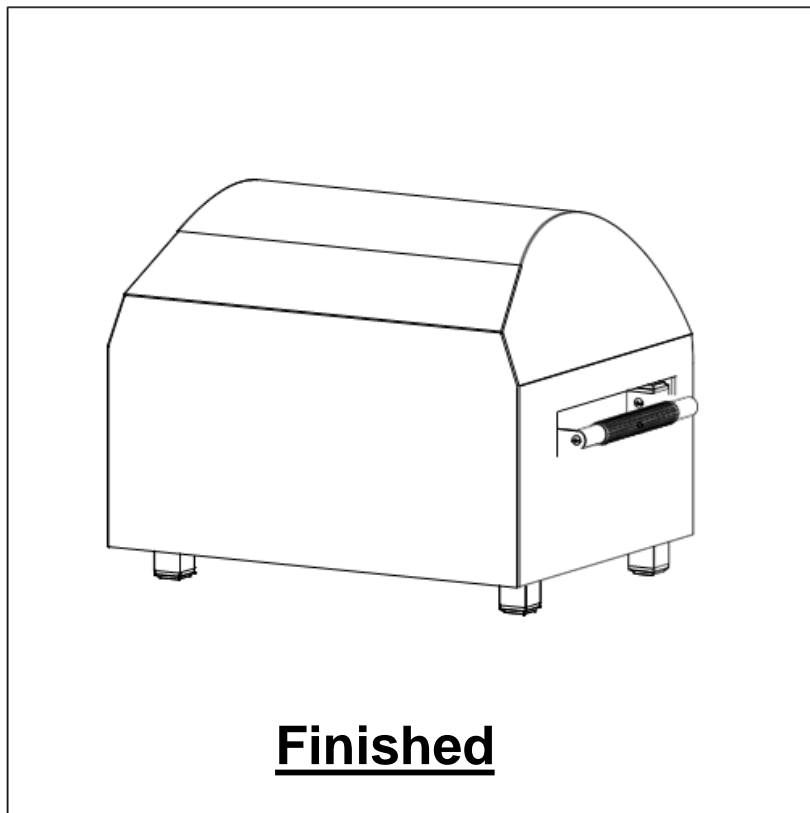
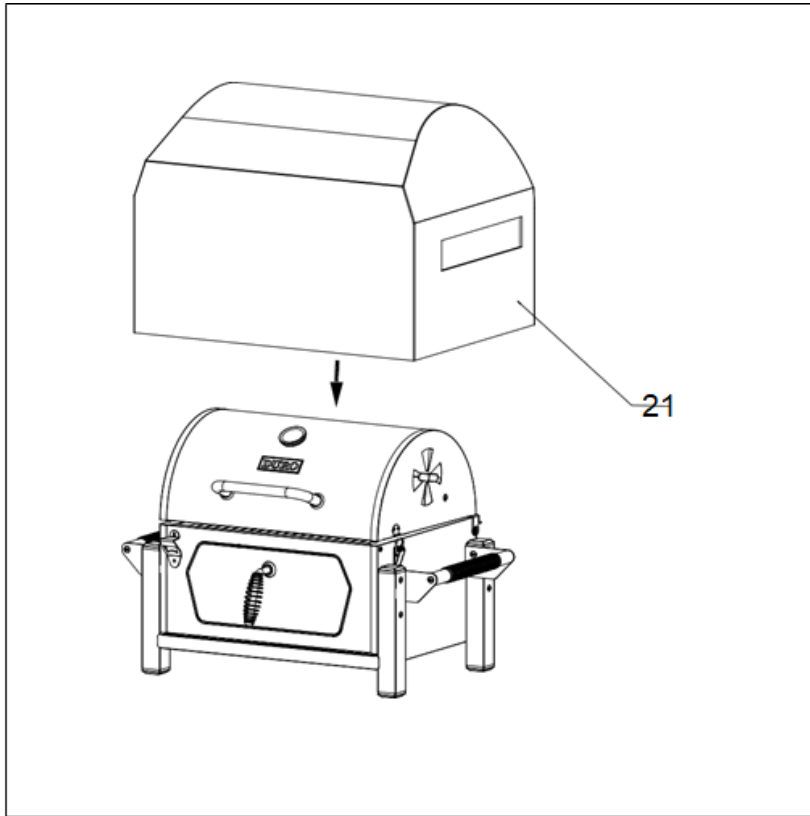


Assembly Instructions





Assembly Instructions



Finished



LIMITED WARRANTY

DURO warrants to the original consumer-purchaser only that this product (Model#19PCG-BK) shall be free from defects in workmanship and materials after correctly assemble and under normal and reasonable home use for the periods indicated below beginning on the date of purchase. The manufacturer reserves the right to require photographic evidence of damage, or that defective parts to be returned, postage and or freight prepaid by the consumer, for review and examination.

Cooking grid: 1 Years LIMITED warranty; does not cover dropping, chipping, scratching, or surface damage.
All other parts: 1 Years LIMITED warranty; does not cover chipping, scratching, cracking surface corrosion, scratches or rust.

Upon consumer supplying proof of purchase as provided herein, Manufacturer will repair or replace the parts which are proven defective during the applicable warranty period. Parts required to complete such repair or replacement shall be free of charge to you except for shipping costs, as long as the purchaser is within the warranty period from the original date of purchase. The original consumer-purchaser will be responsible for all shipping charges of parts replaced under the terms of this limited warranty.

This limited warranty is applicable in the United States only, is only available to the original owner of the product and is not transferable.

Manufacturer requires reasonable proof of your date of purchase. Therefore, you should retain your sales receipt and / or invoice. If the unit was received as a gift, please ask the gift-giver to send in the receipt on your behalf, to the below address. Defective or missing parts subject to this limited warranty will not be replaced without registration or proof of purchase. This limited warranty applies to the functionality of the product ONLY and does not cover cosmetic issues such as scratches, dents, corrosion or discoloration by heat, abrasive and chemical cleaners or any tools used in the assembly or installation of the appliance, surface rust, or the discoloration of stainlesssteel surfaces. Surface rust, corrosion, or powder paint chipping on metal parts that does not affect the structural integrity of the product is not considered a defect in workmanship or material and is not covered by this warranty. This limited warranty will not reimburse you for the cost of any inconvenience, food, personal injury or property damage. If an original replacement part is not available, a comparable replacement part will be sent. You will be responsible for all shipping charges of parts replaced under the terms of this limited warranty.

ITEMS MANUFACTURER WILL NOT PAY FOR:

- Service calls to your home.
- Repairs when your product is used for other than normal, single-family household or residential use.
- Damage resulting from accident, alteration, misuse, lack of maintenance/ cleaning, abuse, fire, flood, acts of God, improper installation, and installation not in accordance with electrical or plumbing codes or use of products not approved by the manufacturer.
- Any food loss due to product failures.
- Pick up and delivery of your product.
- Postage fees or photo processing fees for photos sent in as documentation.
- Repairs to parts or systems resulting from unauthorized modifications made to the product.
- The removal and/or re-installation of your product.
- Shipping cost, standard or expedited, for warranty / non warranty and replacement parts.



LIMITED WARRANTY

DISCLAIMER OF IMPLIED WARRANTIES; LIMITATION OF REMEDIES

Repair or replacement of defective parts is your exclusive remedy under the terms of this limited warranty. Manufacturer will not be responsible for any consequential or incidental damages arising from the breach of either this limited warranty or any applicable implied warranty, or for failure or damage resulting from acts of God, improper care and maintenance, grease fire, accident, alteration, replacement of parts by anyone other than Manufacturer, misuse, transportation, commercial use, abuse, hostile environments (inclement weather, acts of nature, animal tampering), improper installation or installation not in accordance with local codes or printed manufacturer instructions.

THIS LIMITED WARRANTY IS THE SOLE EXPRESS WARRANTY GIVEN BY THE MANUFACTURER. NO PRODUCT PERFORMANCE SPECIFICATION OR DESCRIPTION WHEREVER APPEARING IS WARRANTED BY MANUFACTURER EXCEPT TO THE EXTENT SET FORTH IN THIS LIMITED WARRANTY. ANY IMPLIED WARRANTY PROTECTION ARISING UNDER THE LAWS OF ANY STATE, INCLUDING IMPLIED WARRANTY OF MERCHANT ABILITY OR FITNESS FOR A PARTICULAR PURPOSE OR USE, IS HEREBY LIMITED IN DURATION TO THE DURATION OF THIS LIMITED WARRANTY. Neither dealers nor the retail establishment selling this product has any authority to make any additional warranties or to promise remedies in addition to or inconsistent with those stated above. Manufacturer's maximum liability, in any event, shall not exceed the documented purchase price of the product paid by the original consumer. This warranty only applies to units purchased from an authorized retailer and or re-seller.

AUSTRALIA: Our goods come with guarantees that cannot be excluded under the Australian Consumer Law. You are entitled to a replacement or refund for a major failure and for compensation for any other reasonably foreseeable loss or damage. You are also entitled to have the goods repaired or replaced if the goods fail to be of acceptable quality and the failure does not amount to a major failure.

NOTE: Some states do not allow an exclusion or limitation of incidental or consequential damages, so some of the above limitations or exclusions may not apply to you; this limited warranty gives you specific legal rights as set for herein. You may also have other rights which vary from state to state.

If you wish to obtain performance of any obligation under this limited warranty, you should write to:

DURO CORPORATION
918 Canada Ct
City of Industry, CA 91748 USA

All consumer returns, parts orders, general questions, and troubleshooting assistance can be acquired by calling our customer service department at 1-888-909-8818, 9:00 a.m.- 5:00 p.m., PST, Monday-Friday. English, French, and Spanish representatives are available. Send email to: nxracs@duro-global.com. (Toll-free in U.S. and Canada only)



ITM. / ART. 1807282
Model: 19PCG-BK

Distributed by:
Costco Wholesale Corporation
P.O. Box 34535
Seattle, WA 98124-1535
USA
1-800-774-2678
www.costco.com

Costco Wholesale Canada Ltd.*
415 W. Hunt Club Road
Ottawa, Ontario
K2E 1C5, Canada
1-800-463-3783
www.costco.ca
* faisant affaire au Québec sous
le nom les Entrepôts Costco

Importado por:
Importadora Primex S.A. de C.V.
Blvd. Magnocentro No. 4
San Fernando La Herradura
Huixquilucan, Estado de México
C.P. 52765
RFC: IPR-930907-S70
(55)-5246-5500
www.costco.com.mx

Costco Wholesale Australia Pty Ltd
17-21 Parramatta Road
Lidcombe NSW 2141
Australia
www.costco.com.au

Costco Wholesale UK Ltd /
Costco Online UK Ltd
Hartspring Lane
Watford, Herts
WD25 8JS
United Kingdom
01923 213113
www.costco.co.uk

Costco Wholesale Spain S.L.U.
Polígono Empresarial Los Gavilanes
C/ Agustín de Betancourt, 17
28906 Getafe (Madrid) España
NIF: B86509460
900 111 155
www.costco.es

Costco Wholesale Iceland ehf.
Kauptún 3-7, 210 Gardabaer
Iceland
www.costco.is

Costco France
1 avenue de Bréhat
91140 Villebon-sur-Yvette
France
01 80 45 01 10
www.costco.fr

Costco Wholesale Japan Ltd.
2 Kakuchi, 2 Gaiku, Kaneda-Nishi
361 Urakura, Kisarazu shi
Chiba, 292-0007 Japan
0570-200-800
www.costco.co.jp

Costco Wholesale Korea, Ltd.
40, Iljik-ro
Gwangmyeong-si
Gyeonggi-do, 14347, Korea
1899-9900
www.costco.co.kr

Costco Wholesale New Zealand Limited
2 Gunton Drive
Westgate
Auckland 0814
New Zealand
www.costco.co.nz

Costco (China) Investment Co., Ltd.
Room 01 Mezzanine
No. 5178, Kang Xin Highway
Pudong New District
Shanghai
China 201315
+86-21-6257-7065

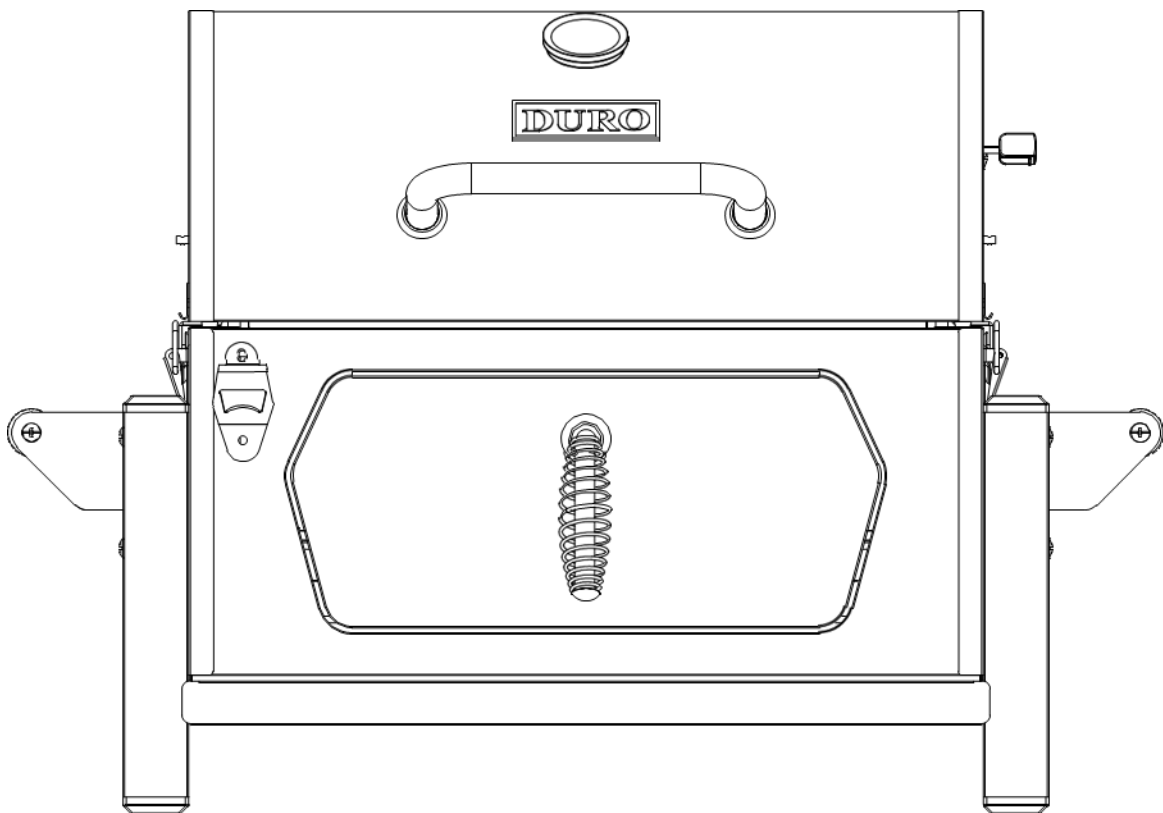
Costco Wholesale Sweden AB
Box 614
114 11 Stockholm
Sweden
www.costco.se

MADE IN CHINA
FABRIQUÉ EN CHINE
HECHO EN CHINA

19인치 이동식 차콜 그릴

설치, 관리 및 유지 보수 설명서

중요: 자세히 읽고 나중에 참고할 수 있도록 잘 보관하십시오



**이 제품은 실외 가정용으로만 사용할 수 있습니다.
상업적 용도로 적합하지 않습니다.**

질문이 있거나 문제를 겪는 경우, 또는 부품이 누락된 경우에는 판매점에 반품하기 전 고객 서비스 부서에 이메일(nxracs@duro-global.com)로 문의해 주시기 바랍니다.



실시간으로 상담원과 통화를 원하시는 경우 1-888-909-8818(월~금, 오전 9시~오후 5시, 태평양 표준시)로 문의해 주시기 바랍니다. 상담은 영어, 프랑스어, 스페인어로 제공됩니다.



경고 사항:

다음의 지침을 모두 읽으십시오.

- 실외에서만 사용하세요.
- 설명서에는 제품의 올바른 조립과 안전한 사용에 관한 중요한 정보가 포함되어 있습니다.
- 제품 사용 시 방치하지 마십시오. 어린이와 반려동물은 가까이 오지 않도록 하십시오. 사용 중에는 제품을 이동하지 마십시오.
- 선박 내부나 위에 설치할 수 없으며 난방 도구로 사용해서는 안 됩니다.
- 설치, 조정, 개조, A/S, 유지 보수가 적절하게 이루어지지 않으면 재산상의 피해나 부상 또는 사망의 원인이 될 수 있습니다.
- 제품의 설치 또는 A/S 전 사용 설명서를 자세히 읽어 주십시오.
- 안전한 조립과 사용을 위해 베임이나 찰과상을 일으킬 수 있는 날카로운 모서리에 주의하십시오.
- 숯에 불을 붙일 때는 적절한 재료를 사용하십시오. 휘발유, 등유, 술은 폭발 위험이 높고 심각한 부상을 일으킬 수 있으므로 엄격하게 사용이 금지됩니다.
- 데크, 건물, 울타리, 나무, 덩불 등 가연성 물질과 그릴 사이에는 최소 3.66m(12피트) 이상 공간을 유지하십시오.
- 사용 중 또는 뜨거운 숯이나 재가 남아 있는 동안에는 제품 위치를 이동하지 마십시오. 제품은 완전히 식힌 후에 이동해야 합니다.
- 가연성 액체나 기체, 또는 가연성 증기가 있는 곳과 가까운 장소에 그릴을 놓지 마십시오.
- 조리 시 식용유나 기름의 온도가 176.67°C(350°F)를 넘지 않도록 주의하십시오. 또한 그릴이나 그릴용 장비 주변에서 너무 많은 양의 식용유를 보관하거나 사용하지 않도록 주의하십시오.
- 재를 담은 팬의 걸이를 다룰 때는 안전을 위해 장갑이나 기타 보호 장비를 착용하십시오.
- 온도는 204.45°C(400°F)를 넘지 않도록 주의하십시오.
- 숯(또는 나무)이 그릴 벽면에 직접 접촉하지 않게 사용하면 그릴을 더 오래 사용할 수 있습니다.
- 그릴 사용 시 화상을 방지하기 위해 항상 장갑을 착용하십시오. 뜨거운 표면을 만지지 마십시오.



경고: 나무나 숯을 태우는 기기에서 사용되는 연료 및 이러한 연료가 연소되는 제품을 사용할 때 카본 블랙(CARBON BLACK), 일산화탄소와 같은 화학물질에 노출될 수 있습니다. 캘리포니아주에서는 카본 블랙이 발암물질로 알려져 있으며, 일산화탄소는 선천성 기형을 일으키거나 생식 기능에 유해할 수 있다고 알려져 있습니다. 자세한 사항은 www.P65Warnings.ca.gov 를 참고하십시오.



안전 예방 조치:

다음의 지침을 모두 읽으십시오.

- **식히기:** 청소나 보관을 위해 가까이 다가갈 때는 먼저 그릴이 완전히 식을 때까지 기다려 주십시오. 뜨거운 상태의 그릴은 지켜보는 사람 없이 방치해서는 안 됩니다.
- **조리도구:** 그릴에 사용하도록 제작된 조리도구만 사용하십시오. 유리, 플라스틱, 세라믹 소재는 사용할 수 없습니다. 뜨거운 그릴 위에 빈 용기를 올려두지 마십시오.
- **보관:** 불이 완전히 꺼지고 모든 표면이 차갑게 식은 후에만 그릴을 보관하십시오. 보관할 때는 그릴 안에 재나 숯이 남아 있지 않도록 해야 합니다.
- **일산화탄소 위험:** 그릴은 난방용으로 사용할 수 없습니다. 일산화탄소 중독은 심각한 위험을 일으킬 수 있습니다.
- **뜨거운 표면:** 사용 시 주의하십시오. 그릴과 모든 표면, 조리도구는 사용 중이나 사용 후에 온도가 매우 높습니다. 화상을 방지할 수 있도록 장갑이나 보호 장비를 착용하십시오.
- **음식물 꺼내기:** 그릴에서 음식물을 꺼낼 때 뜨거운 표면에 접촉하거나 액체가 튀어 화상이 발생할 수 있으므로 길고 견고한 조리도구를 사용하고 보호용 장갑을 착용해야 합니다.
- **안정성:** 그릴에 부딪히거나 충격을 주면 사용자가 부상을 입거나 그릴이 손상되거나 음식물이 떨어질 수 있으므로 주의하십시오.
- **증기 및 통풍구:** 제품을 사용하는 동안 그릴 도어와 통풍구에서 안전 거리를 유지하십시오. 제품 내부에서 뜨거운 증기나 공기가 배출될 수 있으므로 주의해야 합니다.
- **에어 댐퍼:** 에어 댐퍼는 사용 중이나 식히는 동안 뜨거울 수 있습니다. 에어 댐퍼를 조정할 때는 보호용 장갑을 착용하십시오.
- **불꽃:** 불꽃이나 타고 있는 숯, 뜨거운 표면과 안전 거리를 유지하십시오. 불을 붙이는 동안 몸을 그릴 위로 숙이지 마십시오. 흘러내린 머리카락이나 옷에 불이 붙지 않도록 주의하십시오.
- **환기:** 연소 및 환기를 위한 공기 흐름이 방해되지 않도록 확인하십시오.
- **알루미늄 포일:** 조리용 랙을 알루미늄 포일로 덮지 마십시오. 그러면 열기가 갇혀 그릴이 손상될 수 있습니다.
- **재 버리기:** 남은 숯과 재는 완전히 식을 때까지 기다립니다. 알루미늄 포일 위에 물을 넣어 숯과 재를 충분히 적신 다음 불연 소재 용기에 넣어서 폐기합니다.
- **연료 준비:** 그릴을 사용하기 전 숯이 30분 이상 빨강색에 달궈지도록 준비합니다. 연료가 재로 얇게 덮인 후에 요리를 시작하십시오.
- **재 치우기:** 남은 재와 숯이 아직 뜨거울 때 재가 담긴 캔을 비워서 안 됩니다.
- **보호용 장비:** 뜨거운 그릴을 사용하거나 불을 다룰 때는 항상 보호용 장갑을 착용해야 합니다. 숯을 추가할 때는 장갑을 착용하거나 길고 견고한 도구를 사용하십시오.
- **숯 올리기:** 숯을 너무 많이 넣지 마십시오. 부상이나 그릴 손상의 위험이 있습니다.
- **라이터액:** 불이 붙은 상태의 숯에 라이터액을 넣지 마십시오. 올바른 사용 방법은 '라이터액 용기'를 참조하십시오.



제품 사용법:

다음의 지침을 모두 읽으십시오.

준비:

1. 그릴 열기:

- 쿠키 그레이트(석쇠)를 올리고 숯불 문을 연 다음 공기 댐퍼를 완전히 열어 적절한 공기 흐름과 점화를 허용합니다.

2. 숯 넣기:

- 차콜 트레이에 숯을 넣습니다. 이때 피라미드 모양으로 쌓으면 공기 흐름을 최적화할 수 있습니다.
- 연료 제한: 연료로 숯만 사용하십시오. 그릴에 다른 종류의 연료는 사용하지 마십시오.

3. 라이터액으로 점화(주의 사항):

- 안전 주의: 점화하기 전 숯불 문을 닫아 주십시오.
- 라이터액 사용: 라이터액 용기에 기재된 설명을 따르십시오.
중요: 안전을 위해 라이터액은 그릴과 9.15m(30피트) 이상 떨어진 거리에서 보충하십시오. 숯에 불을 붙일 때는 그릴 위로 몸을 숙이지 마십시오.
- 숯에 불을 붙일 때는 라이터액 용기의 사용 설명을 따르십시오. 이 단계에서는 그릴 뚜껑을 열어 두어야 합니다.

4. 숯 태우기:

- 숯을 약 20분간 태웁니다. 불꽃이 진정되고 숯 표면에 재가 보이기 시작합니다.

5. 숯을 골고루 퍼기:

- 숯이 완전히 재로 덮이면 적절한 도구를 사용해 숯을 1겹으로 바닥에 고루 펼쳐줍니다.

6. 숯 추가하기(선택 사항):

- 조리 시간이 30분을 넘어가면 열기를 유지하기 위해 숯을 추가해야 할 수 있습니다.
- 숯을 추가하는 방법은 다음과 같습니다.
 - 처음 넣은 숯을 골고루 펼쳐준 후 불의 가장자리 쪽에 숯을 추가합니다.
 - 새로 추가한 숯 표면의 약 80%가 재로 덮였을 때 가운데 부분으로 옮기면 조리에 필요한 열기를 일정하게 유지할 수 있습니다.
- 숯 제품을 취급할 때는 항상 포장지에 기재된 지침과 경고 사항을 참고하여 안전하게 사용하십시오.

7. 석쇠 다시 놓기:

보호용 장갑을 착용한 상태에서 조심스럽게 석쇠를 원래 자리에 놓습니다.



제품 사용법(계속):

다음의 지침을 모두 읽으십시오.

8. 열 순환:

알루미늄 포일로 석쇠를 덮지 마십시오. 석쇠를 덮으면 열기가 갇히게 되어 적절한 열기 순환에 방해가 됩니다.

조리 및 온도 조절:

9. 음식 올리기:

- 예열된 석쇠 중앙에 음식물을 올립니다.
- 음식을 너무 많이 올리지 않는 것이 좋습니다. 음식물을 너무 많이 올리면 열기가 아래에 갇혀 조리 시간이 길어지고 골고루 익지 않을 수 있습니다.
- 열이 잘 순환되도록 음식물과 음식물 사이, 음식물과 그릴 가장자리 사이에 공간을 남겨 놓습니다.
- 팬을 사용하는 경우 석쇠 중앙에 놓아야 음식이 고르게 익습니다.

10. 온도 조절:

- 원하는 온도를 맞추려면 에어 댐퍼와 차콜 트레이 높이를 조정합니다.
- 에어 댐퍼를 닫으면 수분과 열기를 유지할 수 있습니다. 반대로 댐퍼를 살짝 열면 생선이나 육포를 조리할 때 수분을 빼줄 수 있습니다.
- 석쇠를 가장 낮은 높이에서 놓고 시작하다가 원하는 온도로 올라가면 점차 위로 올리도록 합니다.

강한 불로 빠르게 구울 때 도움이 되는 팁:

- 고기를 빠른 시간에 바짝 구울 때는 차콜 트레이를 석쇠와 가깝게 오도록 조정하면 됩니다. 그러면 고기에서 육즙이 빠져나가지 않게 할 수 있습니다. 이때 보통 한쪽 면을 몇 분만 익히면 됩니다. 음식이 타지 않도록 주의하십시오. 음식이 다 익으면 차콜 트레이를 원래 위치에 내려놓은 후 계속 요리하면 됩니다.

추가 참고 사항:

- 아주 추운 날씨에는 조리 시간이 길어질 수 있습니다.
- 그릴을 청소하기 전 완전히 식혀주십시오. 제품을 더 오래 사용하고 곰팡이가 생기는 것을 방지하려면 사용한 후 항상 깨끗하게 청소하는 것이 중요합니다.



관리 및 유지 보수:

안전 주의 사항:

- 그릴을 청소하거나 보관하기 전 항상 완전히 식었는지 확인하십시오.

일반 점검:

- 안전하게 작동하도록 그릴의 하드웨어와 조립 부품을 정기적으로 점검하십시오.

재 제거하기:

- 사용 후 재가 완전히 식을 때까지 기다렸다가 재받이를 비우십시오.

청소:

- 순한 주방세제와 물을 사용해 그릴과 석쇠를 닦습니다. 그릴의 외부 표면은 젖은 천으로 닦습니다.
- **중요:** 오븐용 클리너나 기타 강력한 성능의 세제는 사용하지 않는 것이 좋습니다. 청소가 끝난 후에는 표면이 완전히 건조되었는지 확인하십시오.

재받이 및 연소실 유지 보수:

- 사용 후에는 항상 재가 모두 식은 다음 재받이와 연소실 내부를 청소하여 쌓여 있는 재나 떨어진 음식물, 먼지 등을 제거해 줍니다.

재 버리기:

- 재는 완전히 식은 후에 폐기해야 합니다. 알루미늄 호일로 싸서 물로 적신 후 불연성 용기에 폐기하십시오.

보관:

- 그릴은 건조하고 덮여 있는 공간에 보관해야 합니다. 보관할 때는 불이 완전히 꺼지고 표면이 차갑게 식은 상태로 보관해야 합니다.

계절별 보관:

- 그릴 커버를 사용하는 경우에도 자주 사용하지 않는 기간에는 특히 주기적으로 그릴을 점검하는 것이 좋습니다. 그러면 습기로 인해 발생하는 부식을 방지하는 데 도움이 됩니다.



조립 방법:

주의 사항!

- **제품이 무겁습니다!** 다른 사람의 도움 없이 혼자 조립하지 마십시오.
- 조립 단계에 표시된 것과 같이 일부 부품은 모서리가 날카로울 수 있습니다. 필요한 경우 보호용 장갑을 착용하십시오.
- 조립 시 **공구가 필요합니다(미포함)**.

**조립을 시작하기 전 먼저 전체 설명서를
자세히 읽어 주십시오.**

작업 장소:

- 그릴 부품의 굽힘이나 손상을 방지할 수 있도록 조립 시 깨끗하고 평평한 표면을 선택하십시오.

필요한 도구:

- 조립에 필요한 공구는 다음과 같습니다.
 - 8인치 필립스 헤드 스크류드라이버(미포함)
 - 펜치 또는 조절식 렌치(선택 사항)(미포함)





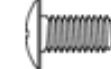




조립 예상 시간:

- 조립 과정을 완료하는 데 약 30분 정도 소요됩니다.

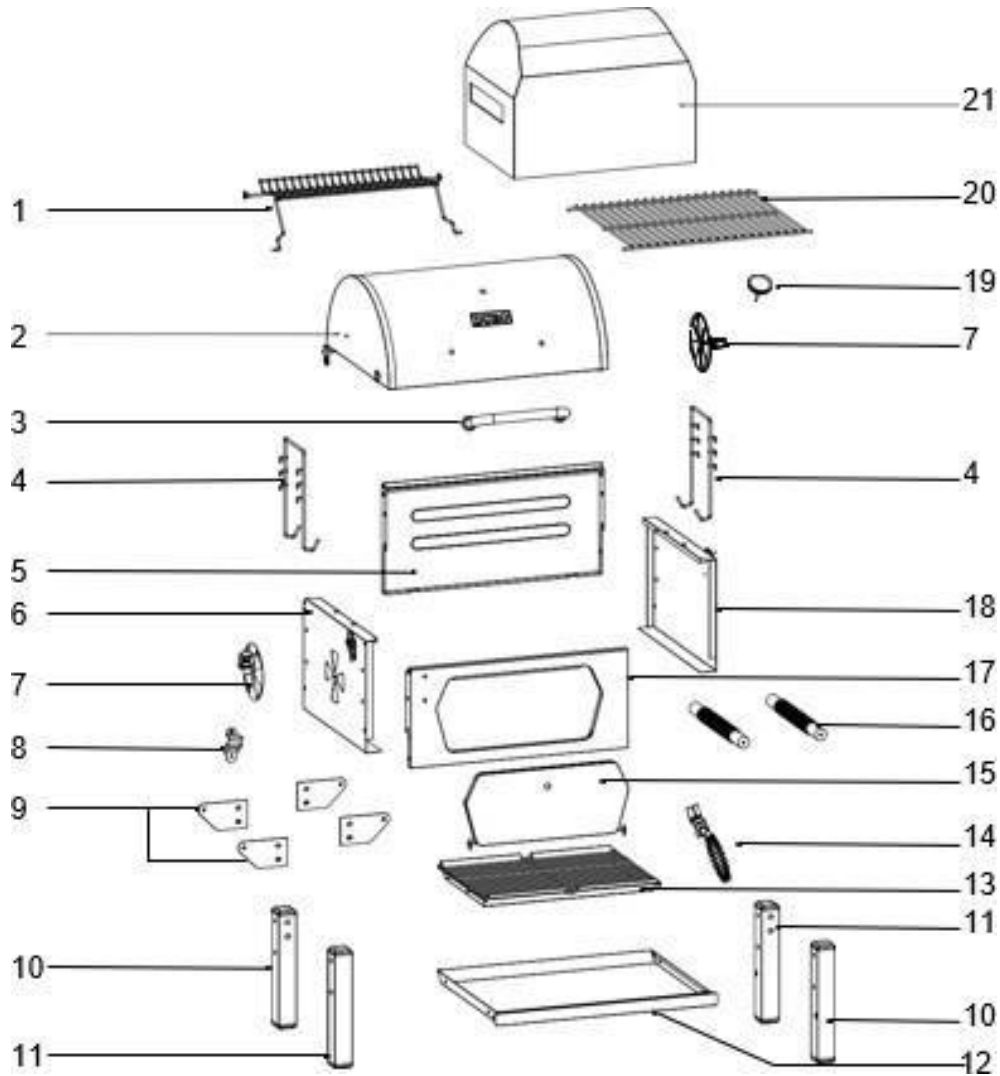
참고 사항:

- 조립 과정 중 일부 단계는 공장에서 조립이 사전에 완료되었을 수 있습니다.

하드웨어 목록

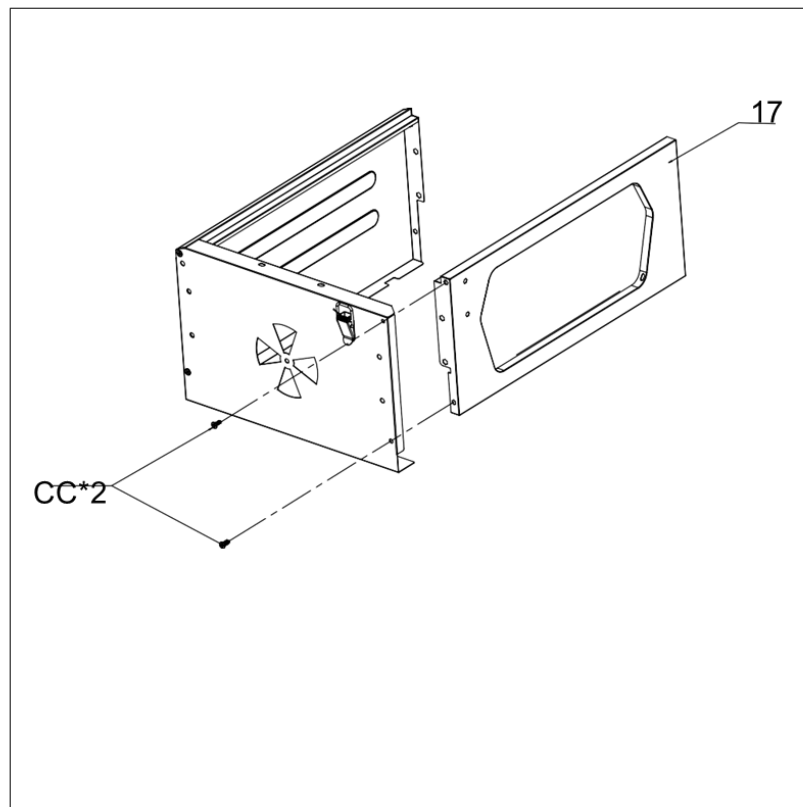
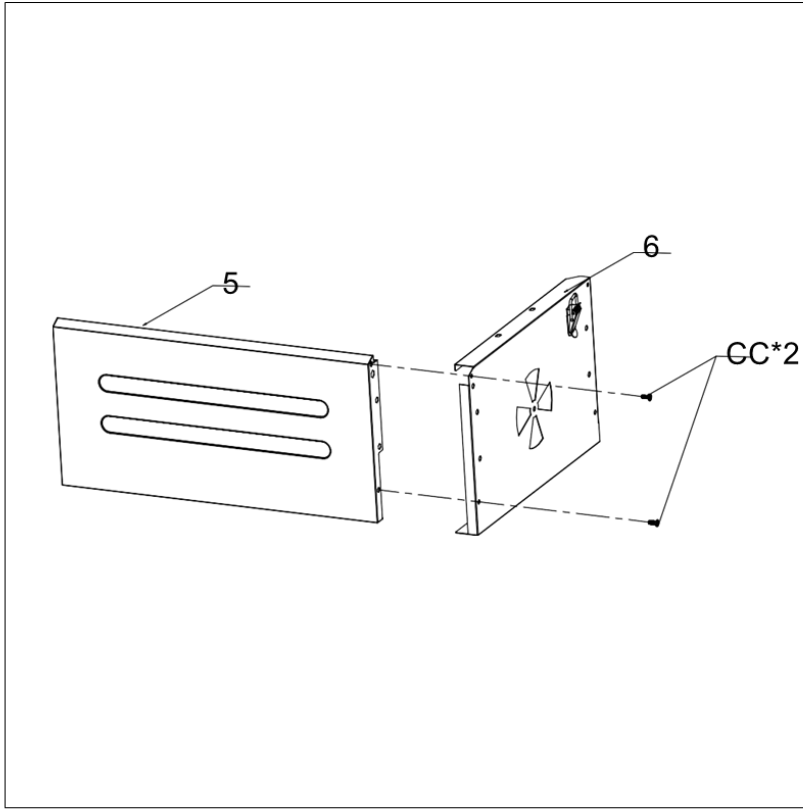
<p>AA 8개</p>	 <p>M5x50</p>
<p>BB 8개</p>	 <p>M5x10</p>
<p>CC 8개</p>	 <p>M4x10</p>
<p>EE 2개</p>	 <p>M4x10</p>
<p>FF 4개</p>	 <p>M6x12</p>
<p>GG 6개</p>	 <p>M6x20</p>
<p>II 2개</p>	 <p>M6</p>
<p>JJ 2개</p>	 <p>M6</p>
<p>KK 4개</p>	 <p>M6 와셔</p>

부품 목록

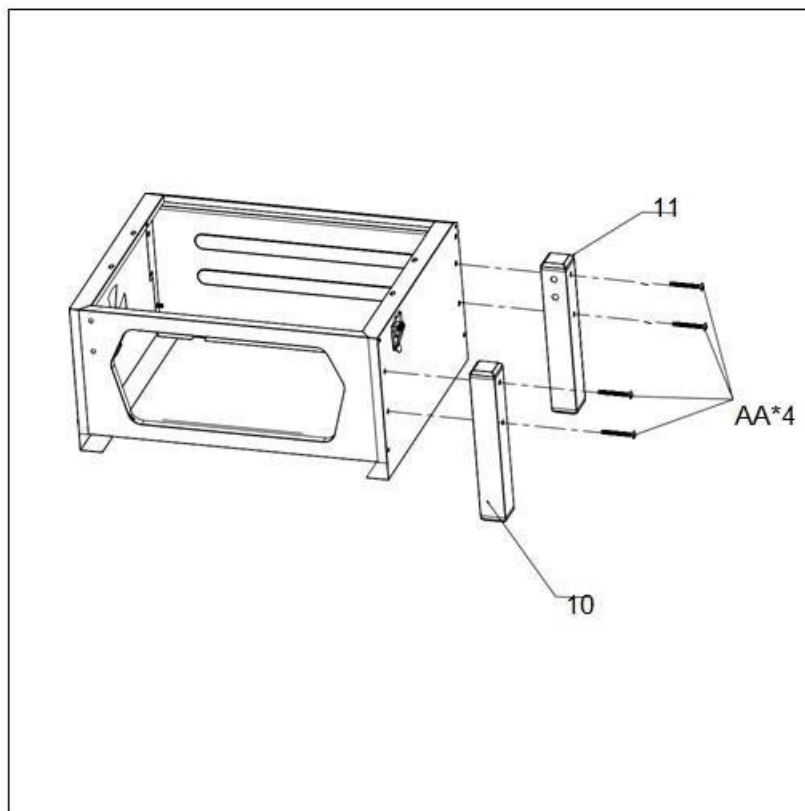
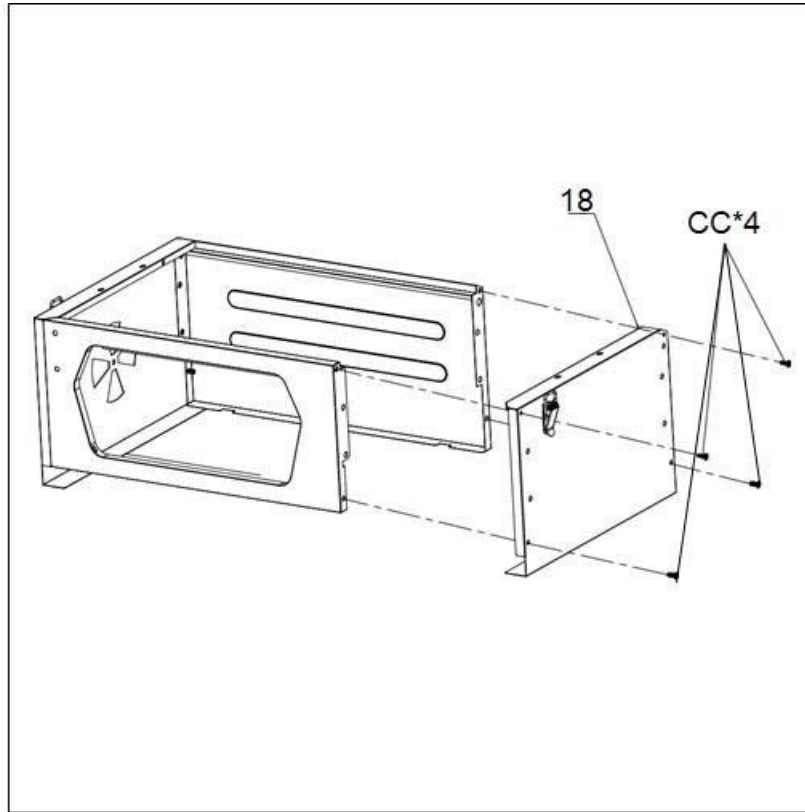


번호	부품 설명	수량	번호	부품 설명	수량
1	보온용 랙	1	12	재받이	1
2	뚜껑	1	13	차콜 트레이	1
3	뚜껑 손잡이	1	14	전면 도어 손잡이	1
4	조리 높이 조절	2	15	전면 도어	1
5	연소실 후면 패널	1	16	그릴 손잡이	2
6	연소실 좌측 패널	1	17	연소실 전면 패널	1
7	슬롯식 조절 패널	2	18	연소실 우측 패널	1
8	병따개	1	19	온도 게이지	1
9	핸들 지지용 빔	4	20	쿠킹 그리드	1
10	왼쪽 후면 다리/오른쪽 전면 다리	2	21	그릴 커버	1
11	왼쪽 전면 다리/오른쪽 후면 다리	2			

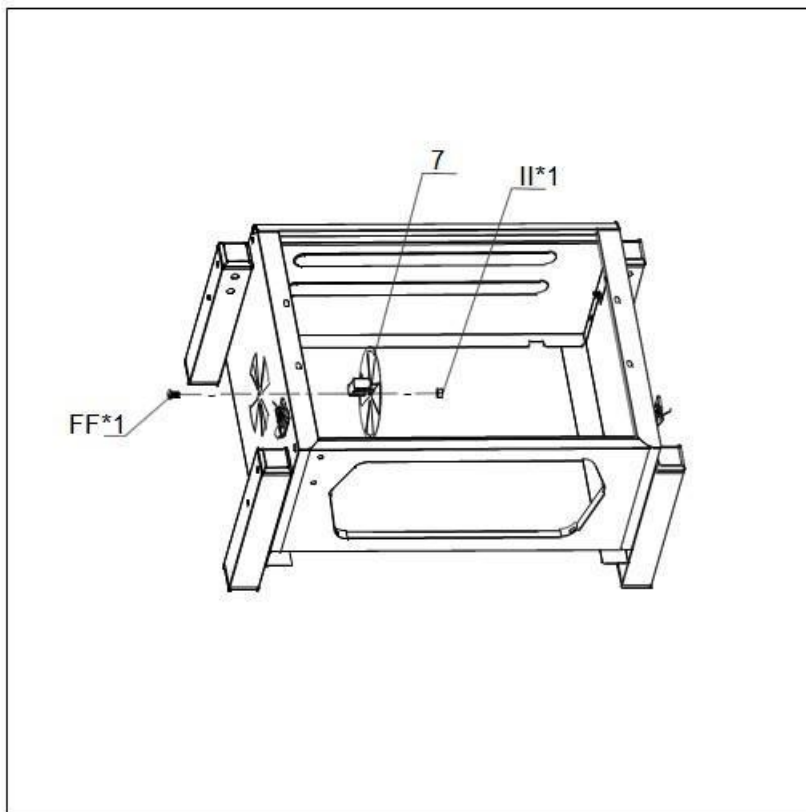
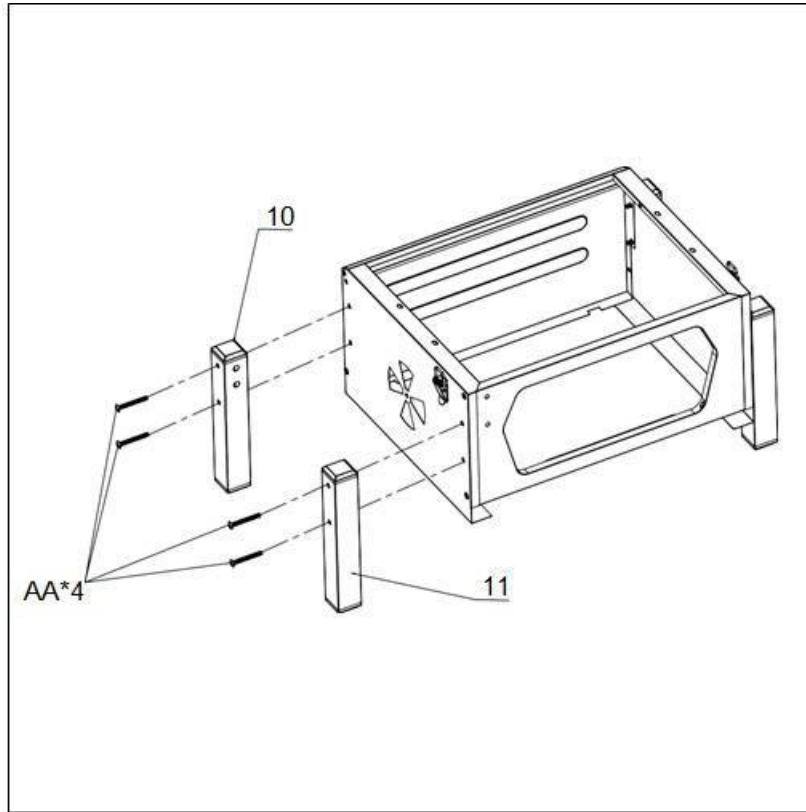
조립 설명서



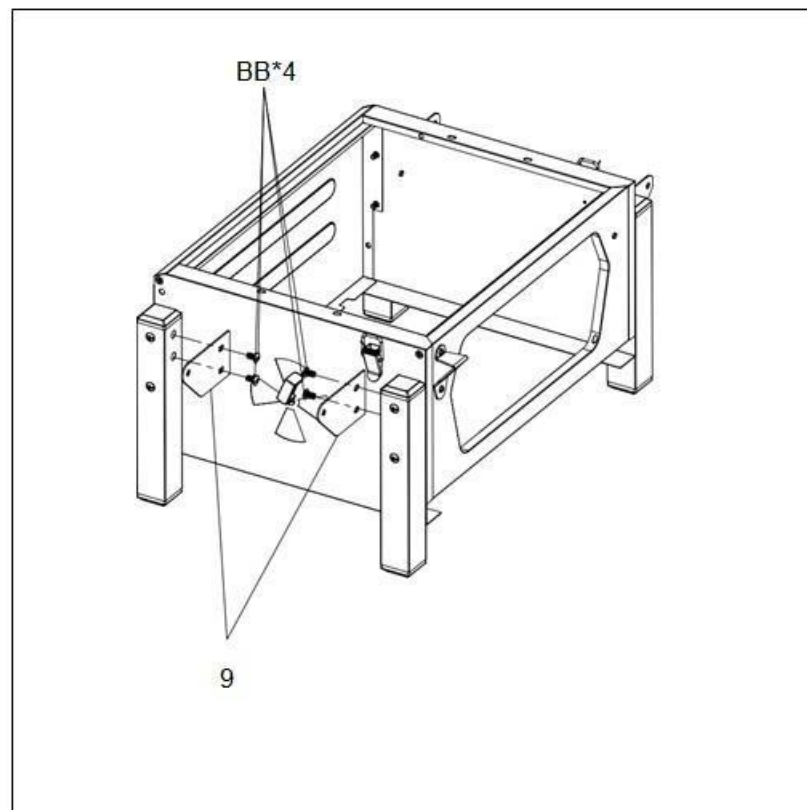
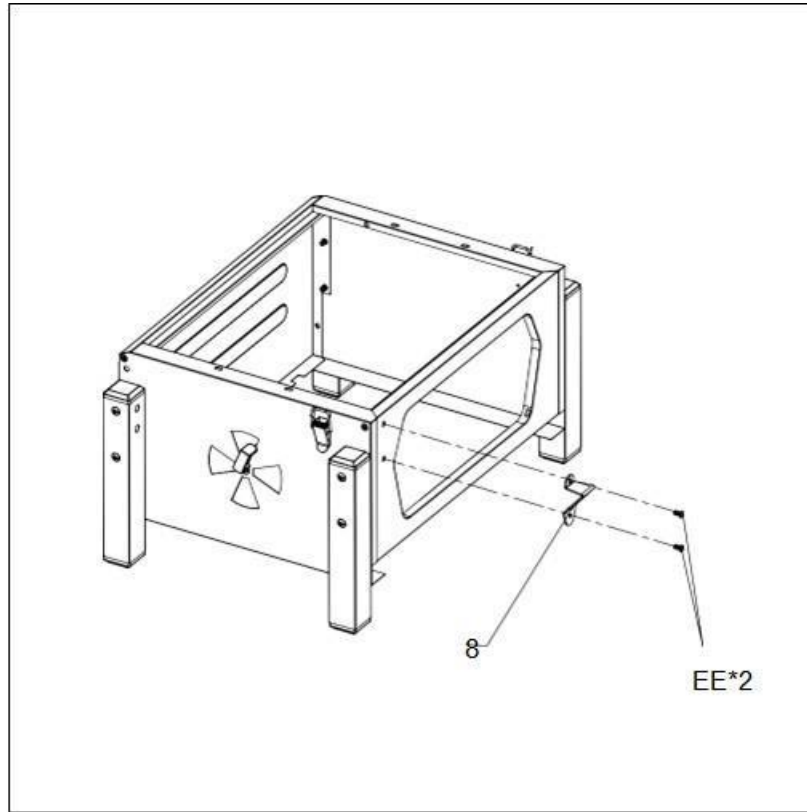
조립 설명서



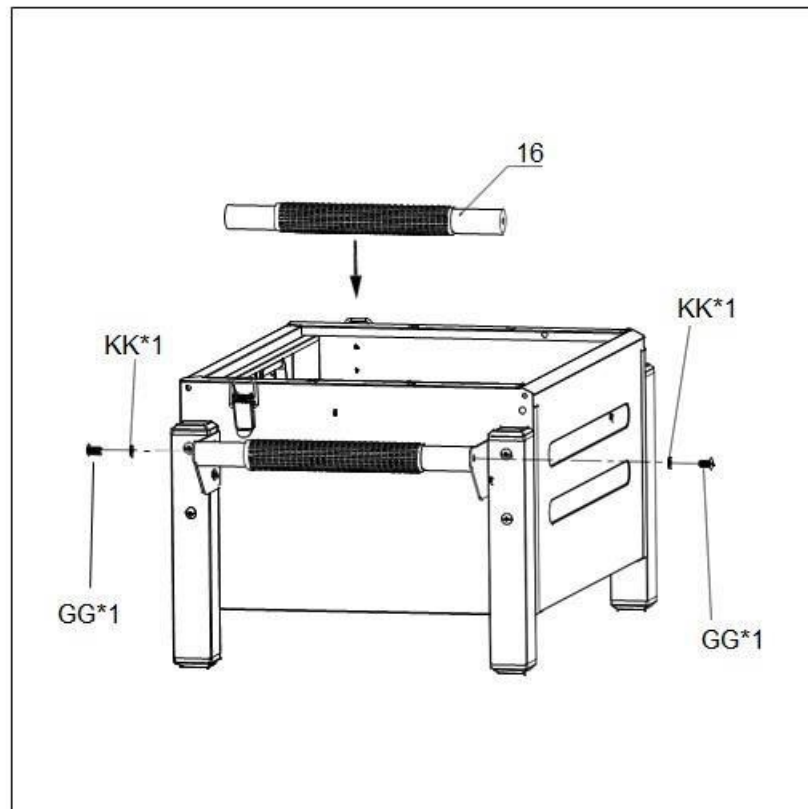
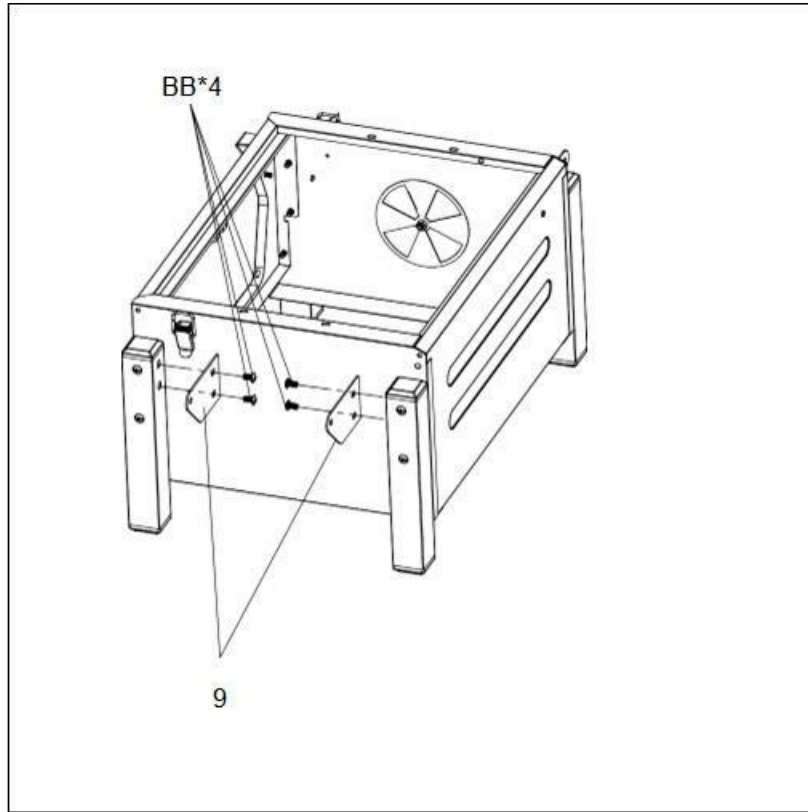
조립 설명서



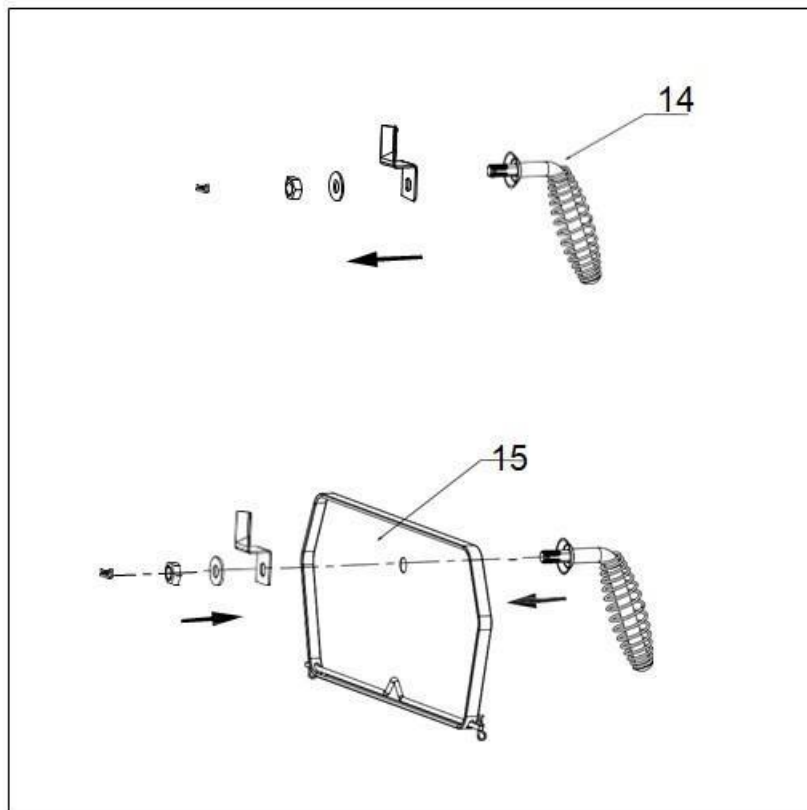
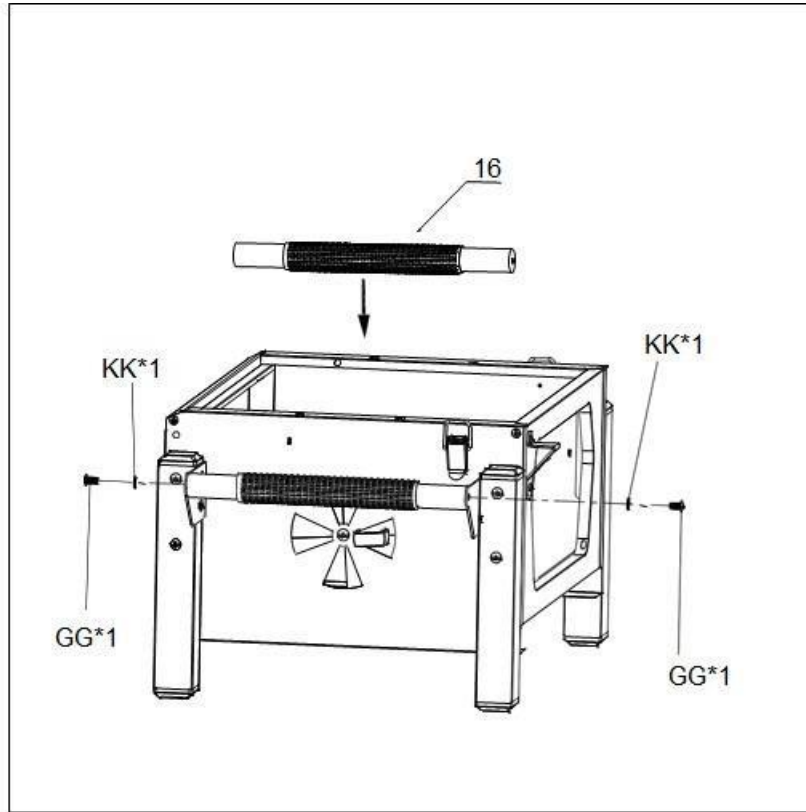
조립 설명서



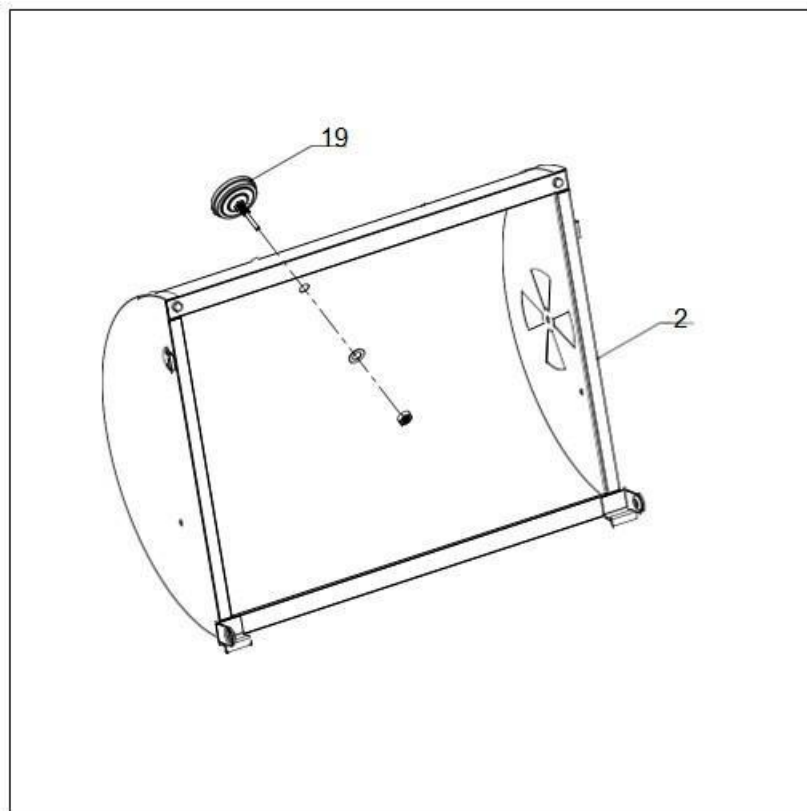
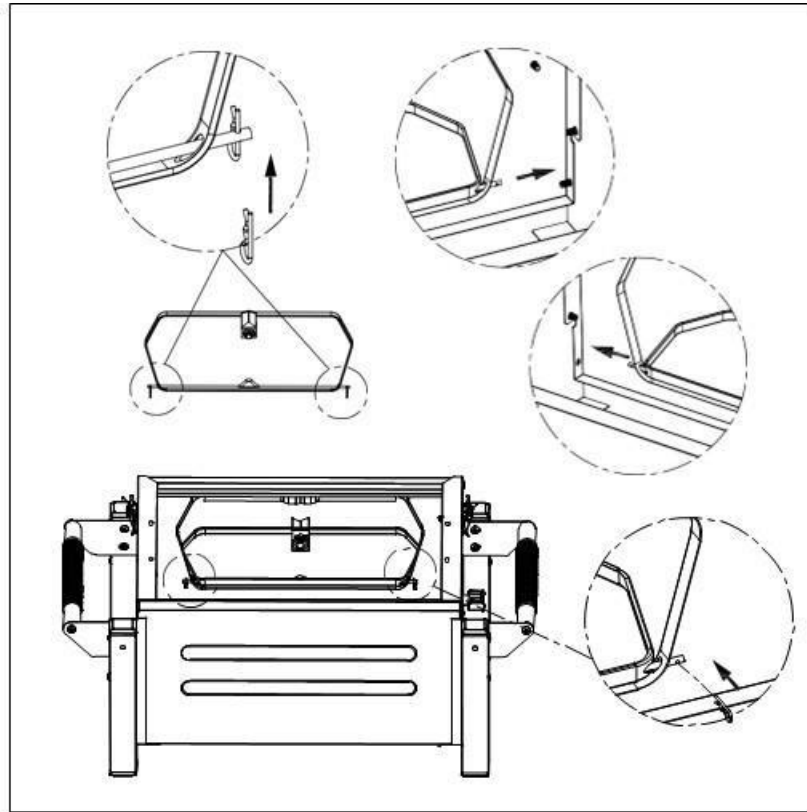
조립 설명서



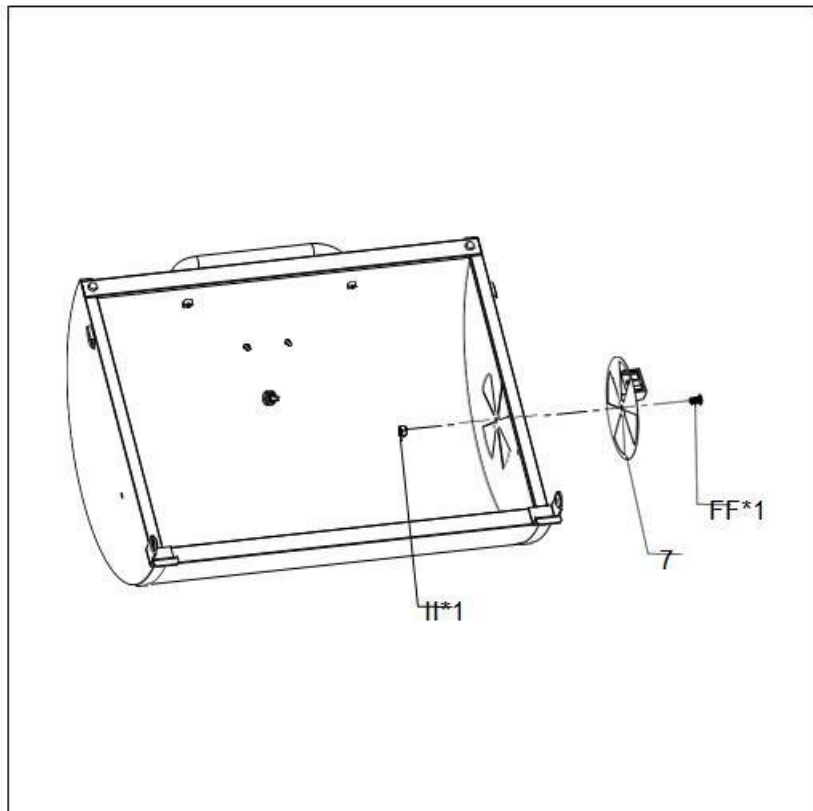
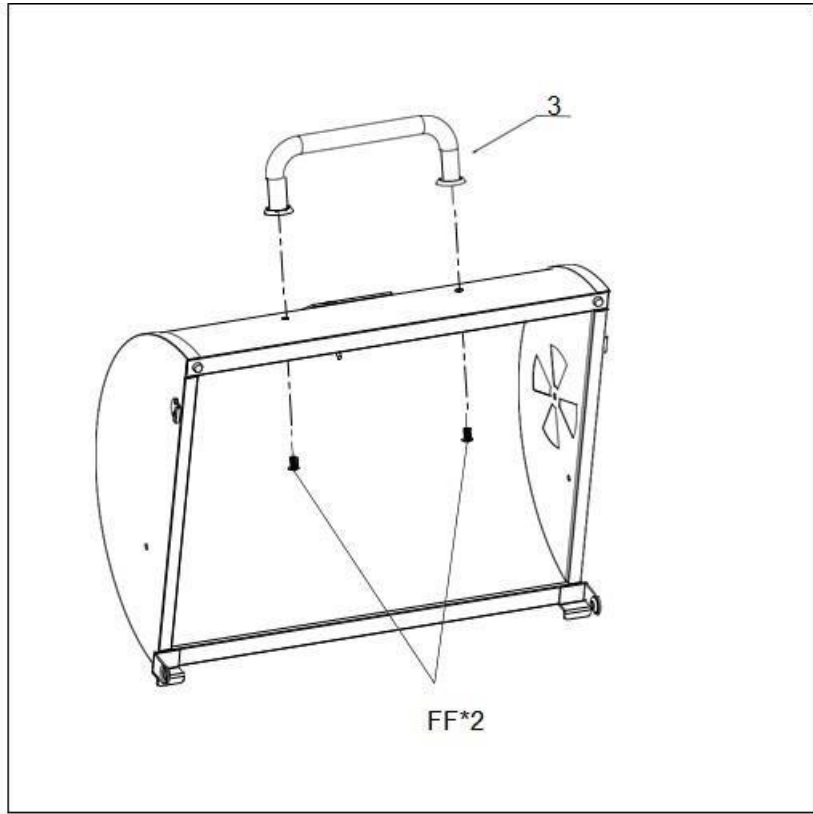
조립 설명서



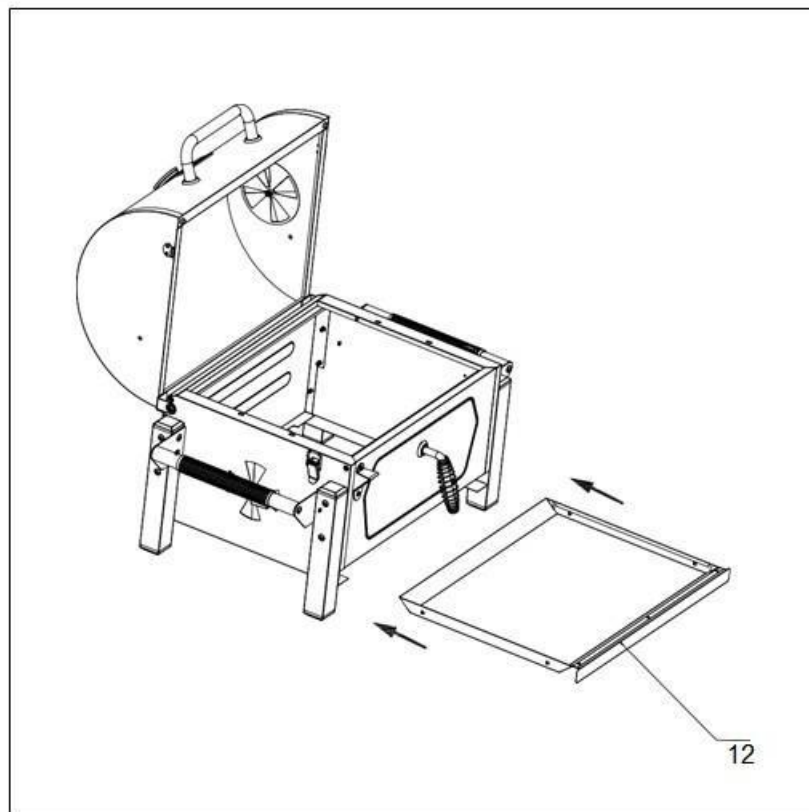
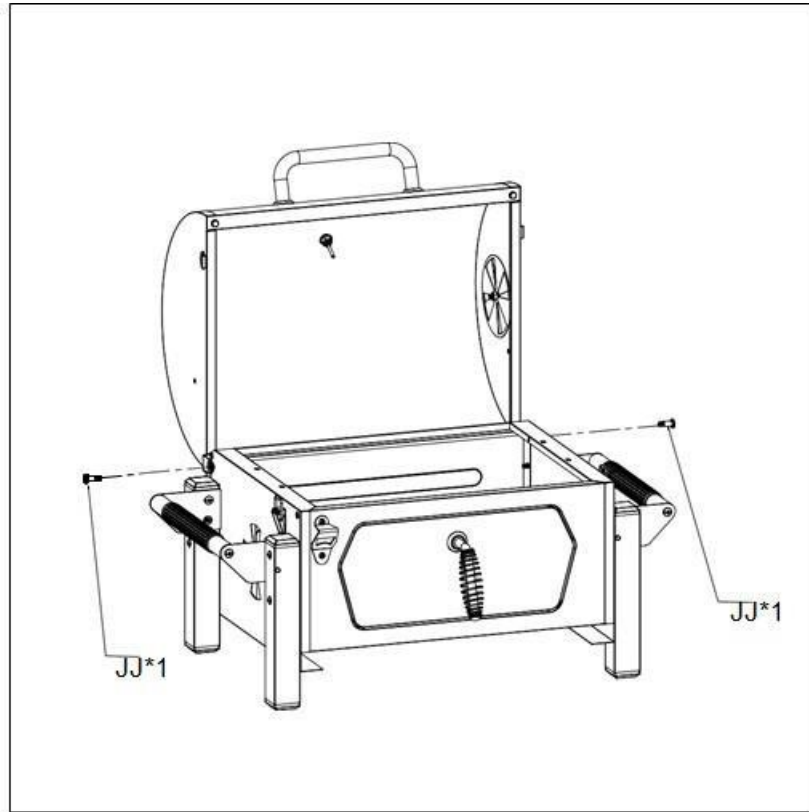
조립 설명서



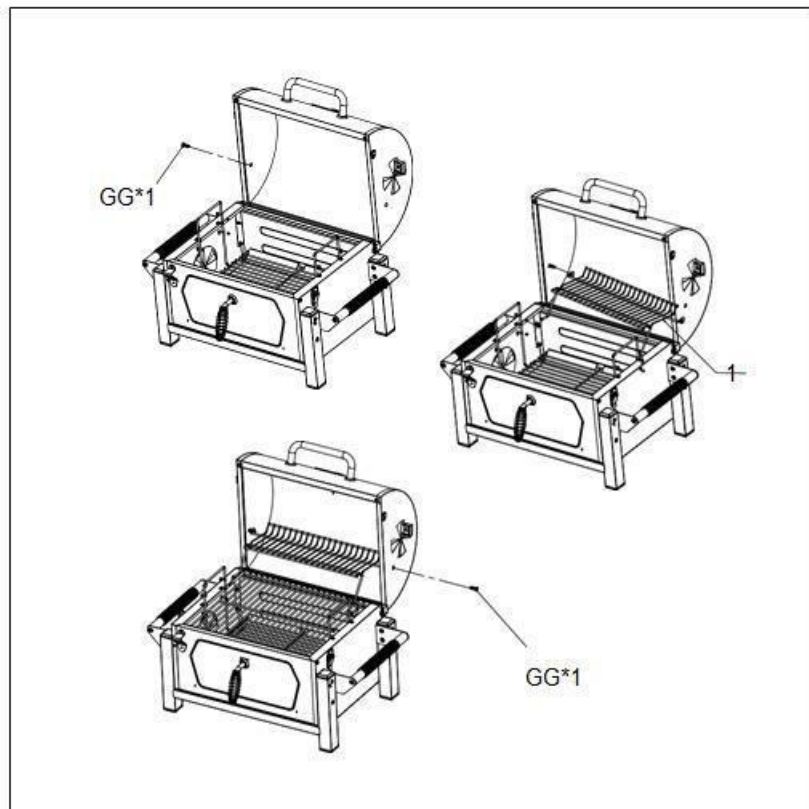
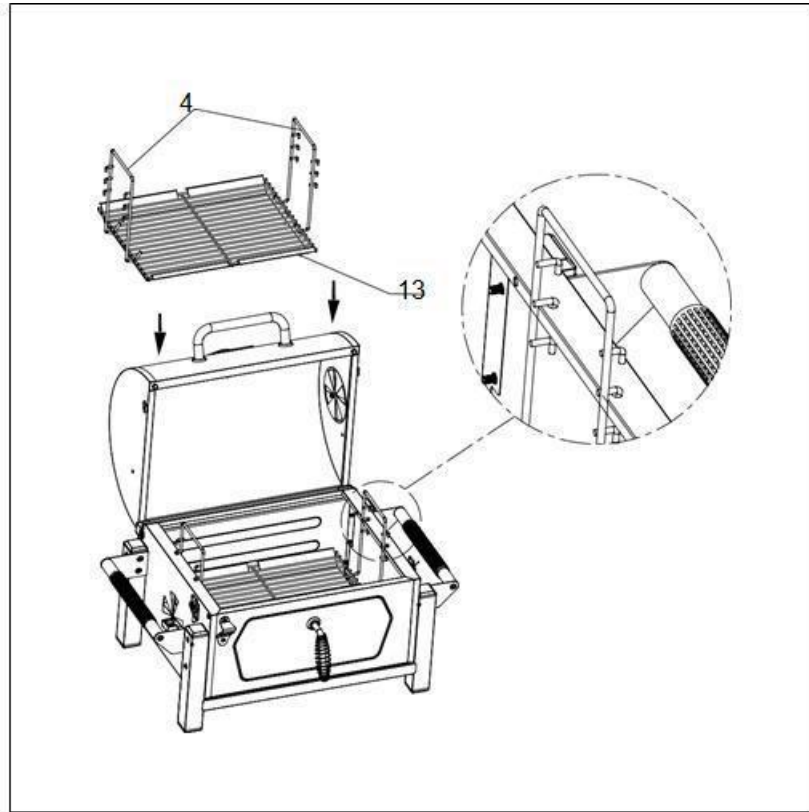
조립 설명서



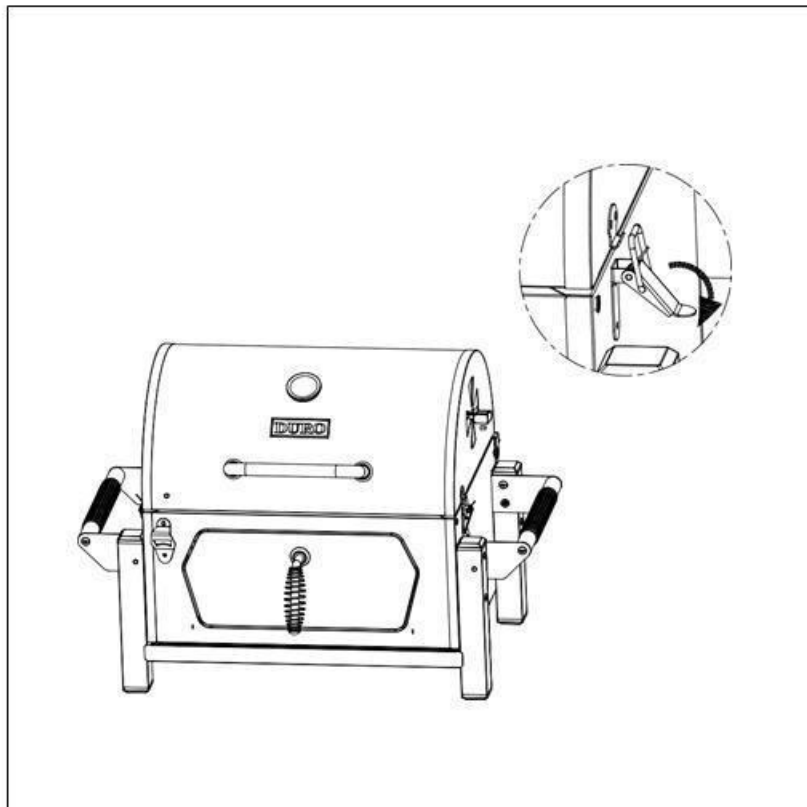
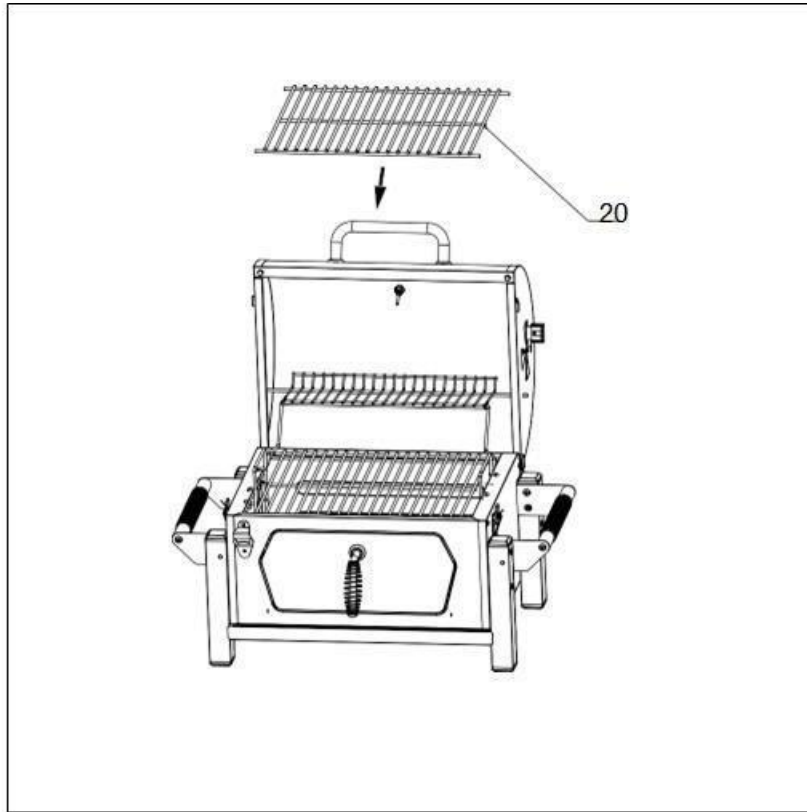
조립 설명서



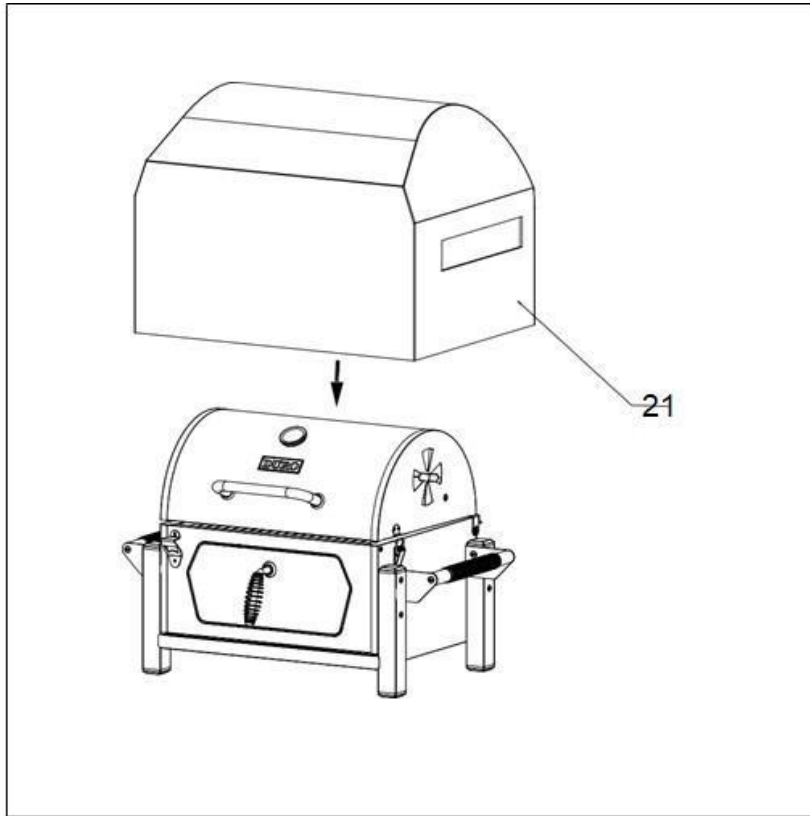
조립 설명서



조립 설명서



조립 설명서



완성



제한적 보증

DURO에서는 제품을 올바르게 조립하고, 구매일로부터 아래 명시된 기간을 초과하지 않았으며, 정상적이고 합리적인 방법으로 제품을 사용한 경우에 한해 본 제품(모델 번호 19PCG-BK)의 제조 또는 부품으로 인한 하자에 대해 제품의 원래 구매자에게 보증을 제공합니다. 제조사는 이를 검토하고 조사하기 위해 손상을 보여주는 사진 증거를 제공하거나 불량 부품을 반환하도록 요청할 권리를 보유하며, 이때 우편이나 배송 요금은 소비자가 선불로 지불해야 합니다.

쿠킹 그리드: 1년 제한 보증; 떨어뜨리거나, 깨지거나, 굽히거나, 표면이 손상되는 경우는 포함되지 않습니다. 기타 모든 부품: 1년 제한 보증; 깨지거나, 굽히거나, 표면이 갈라지거나, 부식되거나, 굽히거나, 녹이 슬거나 하는 경우는 포함되지 않습니다.

본 보증에서 요구되는 구매 증빙을 소비자가 제공하면 제조사는 유효한 보증 기간 내에서 결함이 확인된 부품을 수리하거나 교체해야 합니다. 이러한 수리나 교체에 필요한 부품은 원 구매일로부터 보증 기간이 아직 만료되지 않은 경우에 한해 배송료를 제외하고 무료로 제품의 원래 구매자에게 제공됩니다.

본 제한 보증은 미국에서만 적용되며, 제품의 원래 소유자에게만 제공되며 양도할 수 없습니다.

소비자는 제품 구매일을 증명할 수 있는 합당한 증빙을 제조사에 제출해야 합니다. 따라서 구매자는 구매 영수증이나 송장을 보관해야 합니다. 만약 제품을 선물로 받은 경우 선물을 제공한 원래 구매자에게 아래 주소로 영수증을 발송하도록 요청해 주십시오. 본 제한적 보증이 적용되는 불량 또는 누락된 부품의 경우 제품 등록 또는 구매 증빙이 없으면 교체가 제공되지 않습니다. 본 제한적 보증은 제품 성능에만 적용됩니다. 열, 마모 성분이 있는 화학적 세제, 조립이나 설치 시 사용한 공구로 인해 발생한 굽힘, 패임, 부식, 변색, 표면의 부식, 스테인리스 스틸 표면의 변색 등 외형적인 문제는 보증이 적용되지 않습니다. 제품의 구조적 결함을 발생시키지 않는 금속 표면의 녹, 부식, 분체 도료의 갈라짐은 제조상 또는 재료의 하자로 간주되지 않으며 본 보증이 적용되지 않습니다. 본 제한적 보증에 따라 제조사는 소비자가 겪는 불편함, 신체 상해 또는 재산 피해 비용을 배상하지 않습니다. 원래 부품과 동일한 부품으로 교체할 수 없는 경우 대체 가능한 부품이 제공됩니다.

제품 제조사는 다음의 비용을 부담하지 않습니다:

- 가정 방문 수리
- 가정이나 일반 주택에서 정상적인 범위를 벗어난 방식으로 사용한 경우 제품 수리
- 사고, 변경, 오염, 유지관리/청소 부족, 남용, 화재, 홍수로 인한 손상,
- 천재지변, 부적절한 설치, 전기 또는 배관 규정에 따르지 않은 설치 또는 제조업체에서 승인하지 않은 제품 사용.
- 제품 고장으로 인해 폐기된 음식
- 제품 수거 및 배송
- 사진을 전송하는 경우 우편료 또는 사진 인화 비용
- 제품의 무단 개조로 인한 부품 또는 시스템 수리
- 제품의 분리 및/또는 재설치
- 보증/비보증 및 교체 부품에 대한 표준 또는 신속 배송 비용



제한적 보증

묵시적 보증의 면책조항; 계약 불이행 시 조치의 제한

불량 부품의 수리 및 교체에는 본 제한적 보증 조항에 따라 배타적 조치가 제공됩니다.

제조사는 본 제한적 보증이나 묵시적 보증의 위반으로 인해 발생한 직접적 또는 간접적 피해에 대해 책임을 지지 않습니다. 또한, 예측할 수 없는 사고, 부적절한 관리 및 유지 보수, 사고, 개조, 제조사 외의 제3자에 의한 부품 교체, 남용, 운송, 상업적 사용, 오용, 적대적 환경(예: 악천후, 천재지변, 동물에 의한 조작 등), 부적절한 설치, 현지 규정이나 제조사에서 제공한 인쇄물 지침을 위반한 설치로 인해 발생한 고장이나 손상에 대해 책임을 지지 않습니다.

본 제한적 보증은 제조사에서 제공하는 유일한 명시적 보증입니다. 제품 성능 사양 또는 설명이 명시적으로 기재된 경우 본 제한적 보증에서 명시된 범위를 제외하고 제조사에서 보증이 제공됩니다. 특정 목적이나 사용에 적용되는 상품성 또는 적합성에 대한 묵시적 보증을 포함하여 정부 규정에 따라 보호되는 묵시적 보증의 보증 기간은 본 제한적 보증의 기간 범위 내로 제한됩니다.

본 제품을 판매하는 대리점 또는 소매점은 상기된 보증 내용과 일치하지 않거나 내용을 추가하여 추가적인 보증을 제공 또는 조치를 약속할 수 있는 권한이 없습니다. 어떠한 경우에도 제조사가 책임지는 최대 금액 한도는 구매 증빙에 표시된 원래 구매자의 제품 구입 가격을 초과할 수 없습니다. 본 제품 보증은 공식 대리점이나 소매점에서 구입한 제품에만 제공됩니다.

호주: 본 제품에는 호주 소비자보호법(Australian Consumer Law)에 따라 다음과 같이 배제할 수 없는 보증이 제공됩니다. 소비자는 주요한 고장에 대해 교체 또는 환불을 받을 수 있고 합리적으로 손실 또는 손상이 예상되는 경우 보상을 받을 권리가 있습니다. 또한 제품이 허용 가능한 품질을 충족하지 않지만 주요한 고장에 해당하지 않는 경우에는 수리나 교체를 받을 수 있습니다.

참고: 일부 주에서는 직접적 피해나 간접적 피해의 배제 또는 제한이 허용되지 않습니다. 이 경우 상기된 일부 제한이나 배제가 적용되지 않을 수 있으며, 이러한 사용자는 본 제한적 보증에서 명시된 바와 같이 구체적인 법적 권한을 보유하고 있습니다. 또한 사용자는 각 주마다 별도로 규정된 법률에 따라 권리를 보유할 수 있습니다.

본 제한적 보증에 따른 의무 이행을 요청하려는 경우 아래 연락처로 서류를 보내주시기 바랍니다.

DURO CORPORATION
918 Canada Ct
City of Industry, CA 91748 USA

모든 반품, 부품 주문, 일반 질문, 문제 해결 지원과 관련된 문의는 당사 고객 서비스 부서로 전화(1-888-909-8818, 월~금 오전 9시 ~ 오후 5시, 태평양 표준시)하십시오. 영어로 상담 가능합니다. 이메일은 nxracs@duro-global.com 로 보내십시오.



ITM. / ART. 1807282

모델: 19PCG-BK

Distributed by:
Costco Wholesale Corporation
P.O. Box 34535
Seattle, WA 98124-1535
USA
1-800-774-2678
www.costco.com

Costco Wholesale Canada Ltd.*
415 W. Hunt Club Road
Ottawa, Ontario
K2E 1C5, Canada
1-800-463-3783
www.costco.ca
* faisant affaire au Québec sous
le nom les Entrepôts Costco

Importado por:
Importadora Primex S.A. de C.V.
Blvd. Magnocentro No. 4
San Fernando La Herradura
Huixquilucan, Estado de México
C.P. 52765
RFC: IPR-930907-S70
(55)-5246-5500
www.costco.com.mx

Costco Wholesale Australia Pty Ltd
17-21 Parramatta Road
Lidcombe NSW 2141
Australia
www.costco.com.au

Costco Wholesale UK Ltd /
Costco Online UK Ltd
Hartspring Lane
Watford, Herts
WD25 8JS
United Kingdom
01923 213113
www.costco.co.uk

Costco Wholesale Spain S.L.U.
Polígono Empresarial Los Gavilanes
C/ Agustín de Betancourt, 17
28906 Getafe (Madrid) España
NIF: B86509460
900 111 155
www.costco.es

Costco Wholesale Iceland ehf.
Kauptún 3-7, 210 Gardabaer
Iceland
www.costco.is

Costco France
1 avenue de Bréhat
91140 Villebon-sur-Yvette
France
01 80 45 01 10
www.costco.fr

Costco Wholesale Japan Ltd.
2 Kakuchi, 2 Gaiku, Kaneda-Nishi
361 Urakura, Kisarazu shi
Chiba, 292-0007 Japan
0570-200-800
www.costco.co.jp

Costco Wholesale Korea, Ltd.
40, Iljik-ro
Gwangmyeong-si
Gyeonggi-do, 14347, Korea
1899-9900
www.costco.co.kr

Costco Wholesale New Zealand Limited
2 Gunton Drive
Westgate
Auckland 0814
New Zealand
www.costco.co.nz

Costco (China) Investment Co., Ltd.
Room 01 Mezzanine
No. 5178, Kang Xin Highway
Pudong New District
Shanghai
China 201315
+86-21-6257-7065

Costco Wholesale Sweden AB
Box 614
114 11 Stockholm
Sweden
www.costco.se

제조국: 중국